

CT30P-30T260-1X

Former P/N: CEC-116

Rev. 10-2023
RoHS3 & REACH
IP68

Piezoelectric Sound Transducers



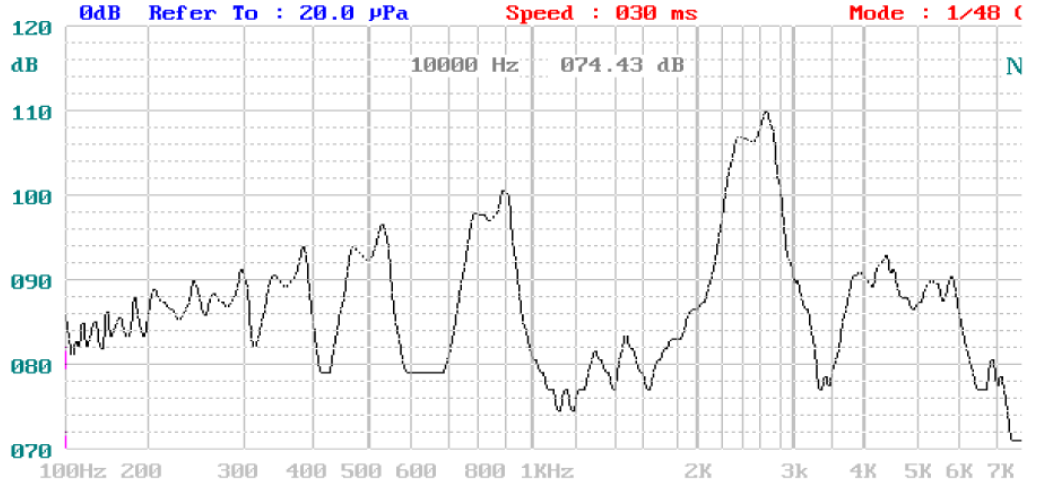
Operating Characteristics

ELECTRICAL

Rated Voltage	12 Vp-p
Max Operating Voltage	30 Vp-p
Max Current at V Rated	10 mA
Capacitance	26000 pF ± 30 % 100 Hz

ACOUSTIC

Min SPL at V Rated	103 dB
Test Conditions	10 cm
f_o	2600 Hz



Physical Characteristics

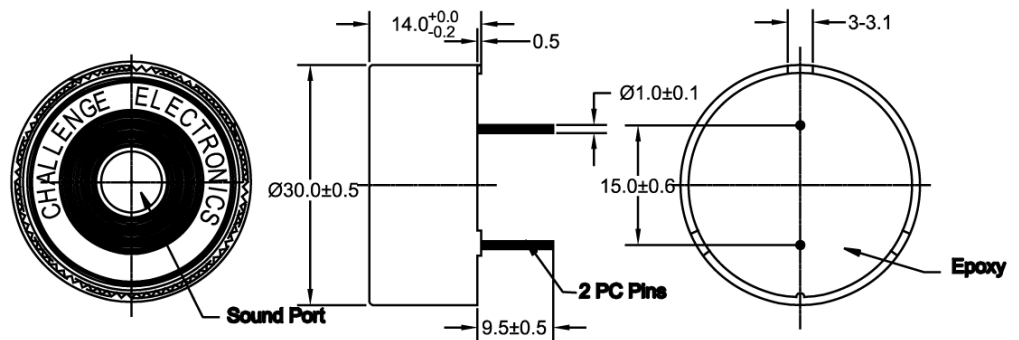
MATERIALS

Housing	Noryl
Diaphragm	Stainless Steel 304
PC Pin	Brass, Electro-Tin Plated

TEMPERATURE RANGES

Operating	-40 to +85 °C
Storage	-40 to +95 °C

Weight 7 g



General tolerance = ±0.5 mm and all measurements in mm unless otherwise noted.

Revision	Description	By	Date
9-2020	Removed polarity marking from mechanical drawing.	JL	2020-07-08
10-2023	Updated photo.	CT	2023-01-25

Warranty: For a period of one (1) year from date of shipping under normal operations conditions. This warranty does not apply to products damaged through misuse, abuse, improper installation, alteration, rework, or attempt to repair. IP Rating ensures functionality after water has been drained fully from device.

The information contained herein is believed to be correct, but no guarantee or warranty, express or implied, with respect to accuracy, completeness or results is extended and no liability is assumed. Challenge Electronics reserves the right to make changes in any specification, data or material contained herein.