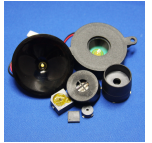


CT30P-50T400-1

 Rev. 0-2022
 RoHS3 & REACH
 Piezoelectric Sound Transducers


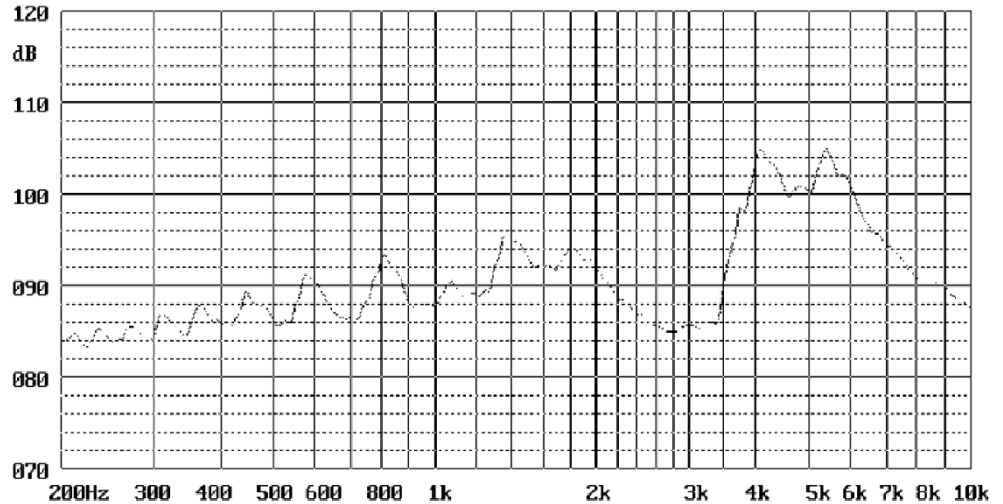
Operating Characteristics

ELECTRICAL

Rated Voltage	18 Vp-p
Max Operating Voltage	50 Vp-p
Max Current at V Rated	80 mA
Capacitance	100,000 pF ± 30 % 100 Hz

ACOUSTIC

Min SPL at V Rated	100 dB
Test Conditions	100 cm
f_0	4000 Hz



Physical Characteristics

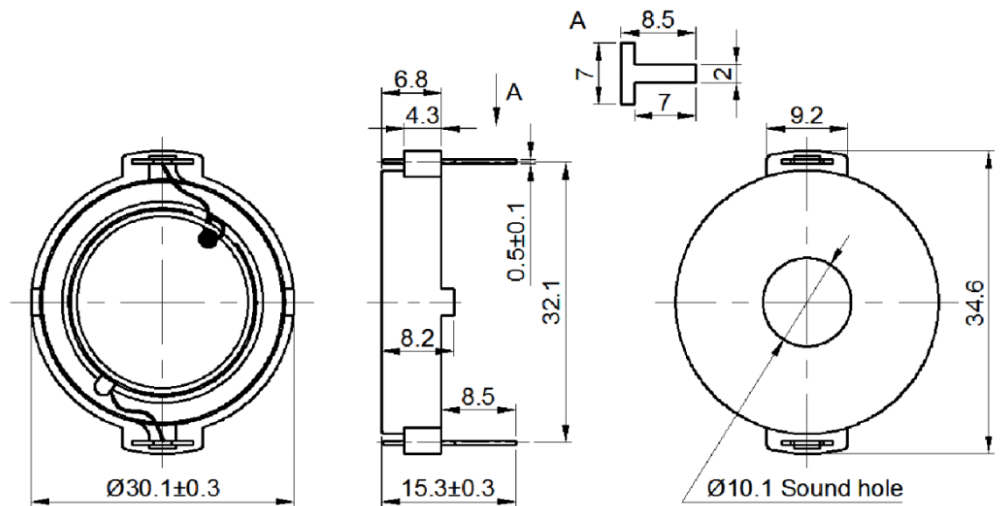
MATERIALS

Housing	PBT + 20% Glass
Diaphragm	Stainless Steel
PC Pins	Copper Plated Tin

TEMPERATURE RANGES

Operating	-20 to +60 °C
Storage	-30 to +70 °C

Weight 3.5 g



General tolerance = ±0.5 mm and all measurements in mm unless otherwise noted.

Revision	Description	By	Date
0-2022	Original Specification	AL	2022-08-29

Warranty: For a period of one (1) year from date of shipping under normal operations conditions. This warranty does not apply to products damaged through misuse, abuse, improper installation, alteration, rework, or attempt to repair.

The information contained herein is believed to be correct, but no guarantee or warranty, express or implied, with respect to accuracy, completeness or results is extended and no liability is assumed. Challenge Electronics reserves the right to make changes in any specification, data or material contained herein.