

## CT30Z-30W450-1

Former P/N: CPD30A10-4.5-W70R

Rev. 2-2023  
RoHS3 & REACH  
Piezo Element Sound Transducers



### Operating Characteristics

#### ELECTRICAL

|                        |                             |
|------------------------|-----------------------------|
| Max Operating Voltage  | 30 Vp-p                     |
| Max Resonant Impedance | 100 Ω                       |
| Capacitance            | 180,000 pF ± 30 %<br>100 Hz |

#### ACOUSTIC: Free Air

|       |         |
|-------|---------|
| $f_0$ | 4000 Hz |
|-------|---------|

### Physical Characteristics

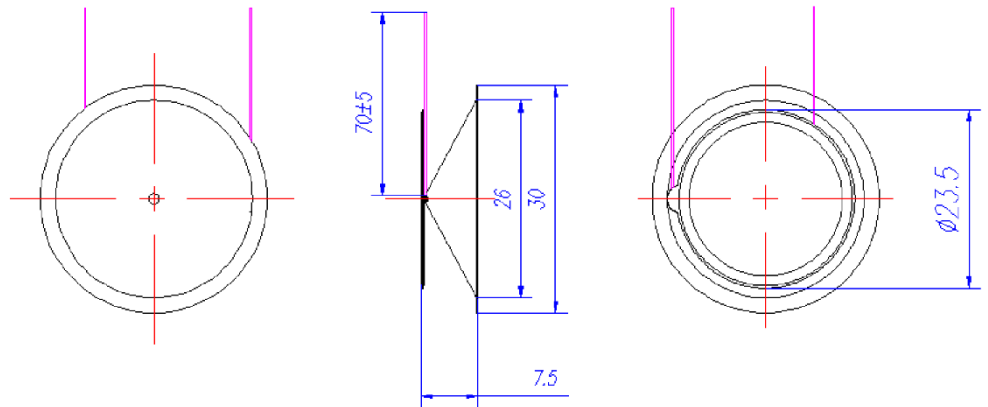
#### MATERIAL

|           |                         |
|-----------|-------------------------|
| Diaphragm | Mylar                   |
| Wire      | Enameled Braided Copper |

#### TEMPERATURE RANGES

|           |               |
|-----------|---------------|
| Operating | -20 to +70 °C |
| Storage   | -30 to +80 °C |

|        |       |
|--------|-------|
| Weight | 1.4 g |
|--------|-------|



General tolerance = ±0.3 mm and all measurements in mm unless otherwise noted.

| Revision | Description   | By | Date       |
|----------|---|----|------------|
| 1-2019   | Migrate to new format   | JL | 2019-06-21 |
| 2-2023   | Updated capacitance from 90,000 to 180,000 pF. Updated resonant frequency from 4500 to 4000 Hz. Updated diaphragm inner diameter from 25.4 to 26 mm. Updated height from 8 to 7.5 mm. | AL | 2023-01-31 |

Warranty: For a period of one (1) year from date of shipping under normal operations conditions. This warranty does not apply to products damaged through misuse, abuse, improper installation, alteration, rework, or attempt to repair.

The information contained herein is believed to be correct, but no guarantee or warranty, express or implied, with respect to accuracy, completeness or results is extended and no liability is assumed. Challenge Electronics reserves the right to make changes in any specification, data or material contained herein.