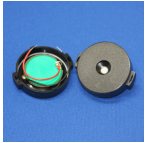


CT32P-50W325-1

Rev. 1-2023
RoHS3 & REACH
Piezoelectric Sound Transducers



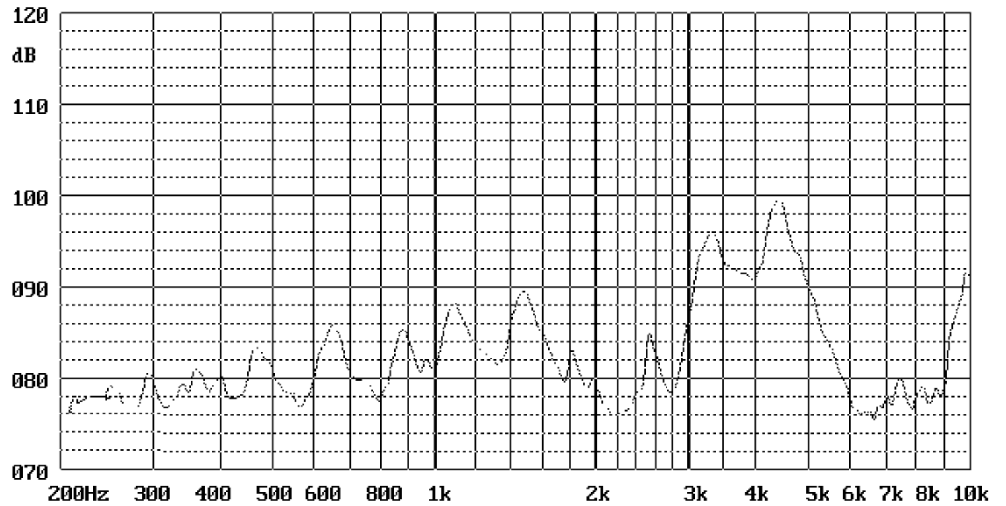
Operating Characteristics

ELECTRICAL

Rated Voltage	24 Vp-p
Max Operating Voltage	50 Vp-p
Max Current at V Rated	100 mA
Capacitance	120,000 pF ± 30 % 120 Hz

ACOUSTIC

Min SPL at V Rated	90 dB
Test Conditions	300 cm
f_o	3250 Hz



Physical Characteristics

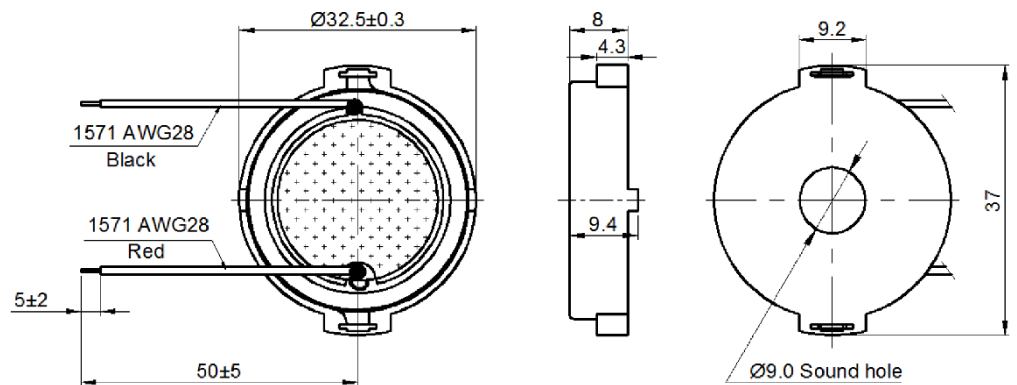
MATERIALS

Housing	PBT
Diaphragm	Stainless Steel
Wire	UL1571, 28 AWG

TEMPERATURE RANGES

Operating	-20 to +60 °C
Storage	-20 to +60 °C

Weight 3.5 g



General tolerance = ± 0.5 mm and all measurements in mm unless otherwise noted.

Revision	Description	By	Date
0-2023	Original Specification	AL	2023-02-16
1-2023	Updated Voltage from Vo-p to Vp-p.	AL	2023-05-02

Warranty: For a period of one (1) year from date of shipping under normal operations conditions. This warranty does not apply to products damaged through misuse, abuse, improper installation, alteration, rework, or attempt to repair.

The information contained herein is believed to be correct, but no guarantee or warranty, express or implied, with respect to accuracy, completeness or results is extended and no liability is assumed. Challenge Electronics reserves the right to make changes in any specification, data or material contained herein.