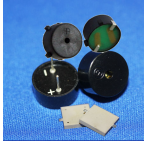


CT32Z-50W230-1

 Rev. 0-2019
 RoHS3 & REACH
 Piezo Element Sound Transducers


Operating Characteristics

ELECTRICAL

Max Operating Voltage	50 Vp-p
Max Resonant Impedance	200 Ω
Capacitance	25000 pF ± 30% 100 Hz

ACOUSTIC: Free Air

f_o	2300 ± 300 Hz
-------	---------------

Physical Characteristics

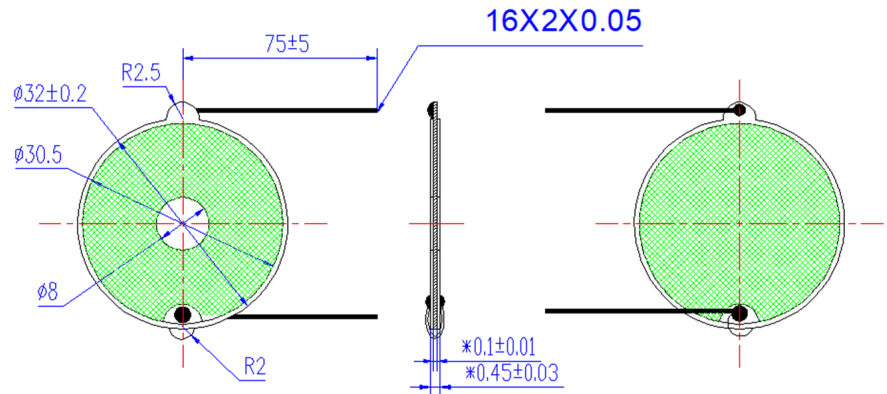
MATERIAL

Diaphragm	Brass
Wire	Braided Copper

TEMPERATURE RANGES

Operating	-20 to +70 °C
Storage	-30 to +80 °C

Weight	1.9 g
--------	-------



Revision	Description	By	Date
0-2019	Initial Specification Sheet	CF	2019-10-21

Warranty: For a period of one (1) year from date of shipping under normal operations conditions This warranty does not apply to products damaged through misuse, abuse, improper installation, alteration, rework, or attempt to repair.

The information contained herein is believed to be correct, but no guarantee or warranty, express or implied, with respect to accuracy, completeness or results is extended and no liability is assumed. Challenge Electronics reserves the right to make changes in any specification, data or material contained herein.
 ©2020 Challenge Electronics, Inc. Pub. 20200224151856