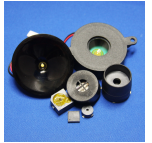


CT33P-12T260-1

Rev. 0-2023
RoHS3 & REACH
Piezoelectric Sound Transducers



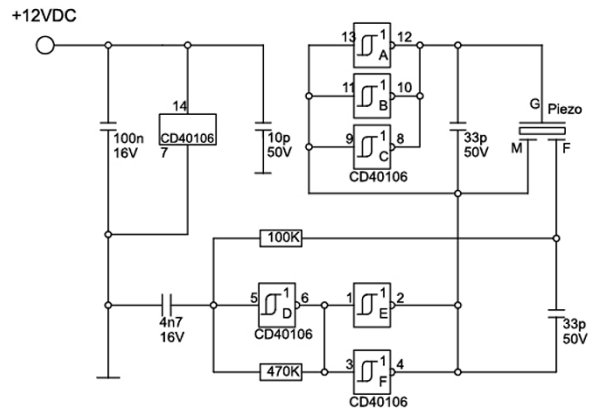
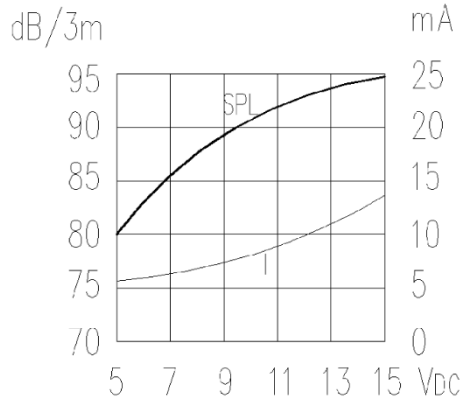
Operating Characteristics

ELECTRICAL

Rated Voltage	12 VDC
Operating Voltage	5 to 12 VDC
Max Current at V Rated	30 mA
Capacitance	26,000 pF ± 30 % 100 Hz

ACOUSTIC

Min SPL at V Rated	85 dB
Test Conditions	300 cm
f_o	2600 ± 500 Hz



Physical Characteristics

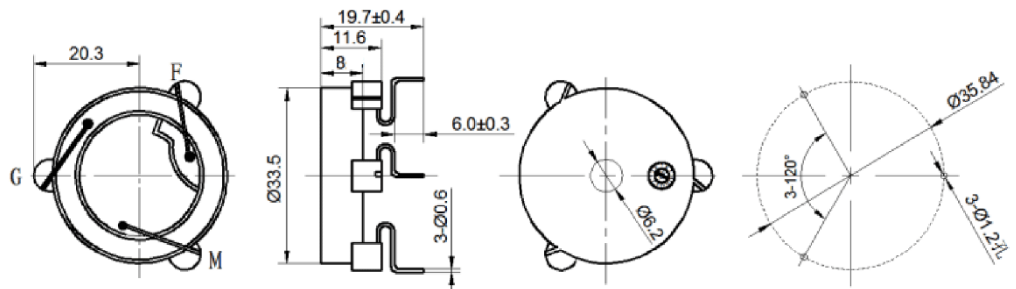
MATERIALS

Housing	ABS
Diaphragm	Brass
PC Pins	Tin Plated Brass

TEMPERATURE RANGES

Operating	-20 to +70 °C
Storage	-30 to +80 °C

Weight	6.2 g
--------	-------



General tolerance = ±0.5 mm and all measurements in mm unless otherwise noted.

Revision	Description	By	Date
0-2023	Original Specification	AL	2023-02-16

Warranty: For a period of one (1) year from date of shipping under normal operations conditions. This warranty does not apply to products damaged through misuse, abuse, improper installation, alteration, rework, or attempt to repair.

The information contained herein is believed to be correct, but no guarantee or warranty, express or implied, with respect to accuracy, completeness or results is extended and no liability is assumed. Challenge Electronics reserves the right to make changes in any specification, data or material contained herein.