

INDICATORS • SPEAKERS • SOUND TRANSDUCERS • ENCLOSURES • MICROPHONES • BATTERY ACCESSORIES

## CT34P-50T340-1

Former P/N: CT34PT-50340-1

Rev. 1-2019  
RoHS3 & REACH  
Piezoelectric Sound Transducers



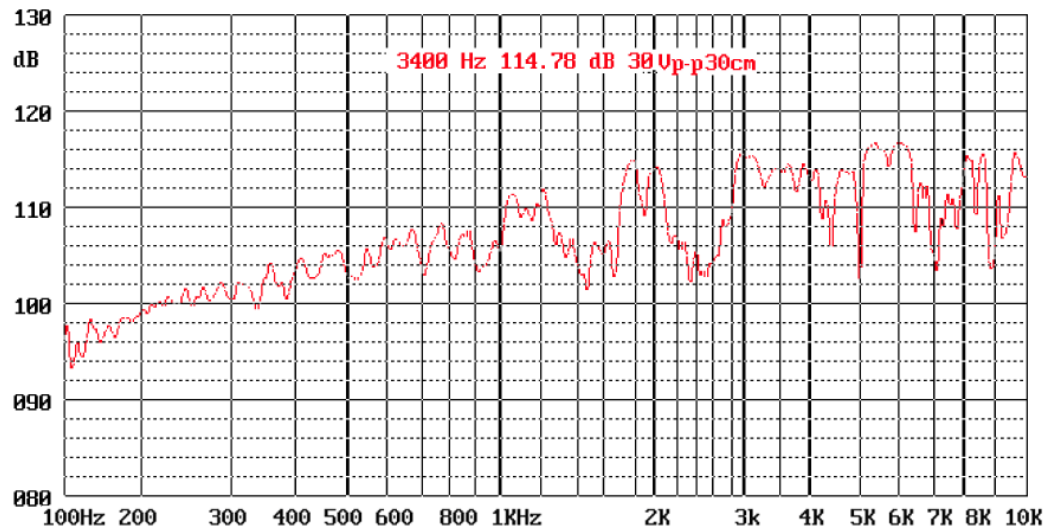
### Operating Characteristics

#### ELECTRICAL

Rated Voltage	30 Vp-p
Max Operating Voltage	50 Vp-p
Max Current at V Rated	150 mA
Capacitance	200000 pF ± 30 % 100 Hz

#### ACOUSTIC

Min SPL at V Rated	105/85 dB
Test Conditions	30/305 cm
$f_0$	3400 ± 500 Hz



### Physical Characteristics

#### MATERIALS

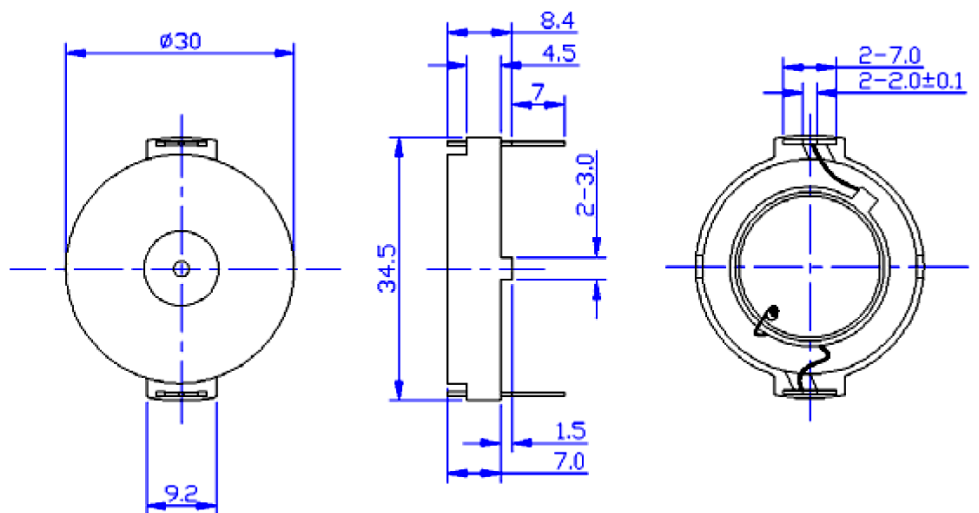
Housing	PPO (Black)
Diaphragm	Ni-alloy
PC Pin	Tin Plated Brass

#### TEMPERATURE RANGES

Operating	-20 to +70 °C
Storage	-30 to +80 °C

Weight 3.4 g

(Unit:mm, Tolerance: +/-0.3mm)



Revision	Description	By	Date
0-2019	Initial Specification Sheet	JL	2019-01-23
1-2019	Migrate to new format.	CF	2019-06-24

Warranty: For a period of one (1) year from date of shipping under normal operations conditions This warranty does not apply to products damaged through misuse, abuse, improper installation, alteration, rework, or attempt to repair.

The information contained herein is believed to be correct, but no guarantee or warranty, express or implied, with respect to accuracy, completeness or results is extended and no liability is assumed. Challenge Electronics reserves the right to make changes in any specification, data or material contained herein.