

CT34P-50T340-1

Former P/N: CT34PT-50340-1

 Rev. 1-2019
 RoHS3 & REACH
 Piezoelectric Sound Transducers

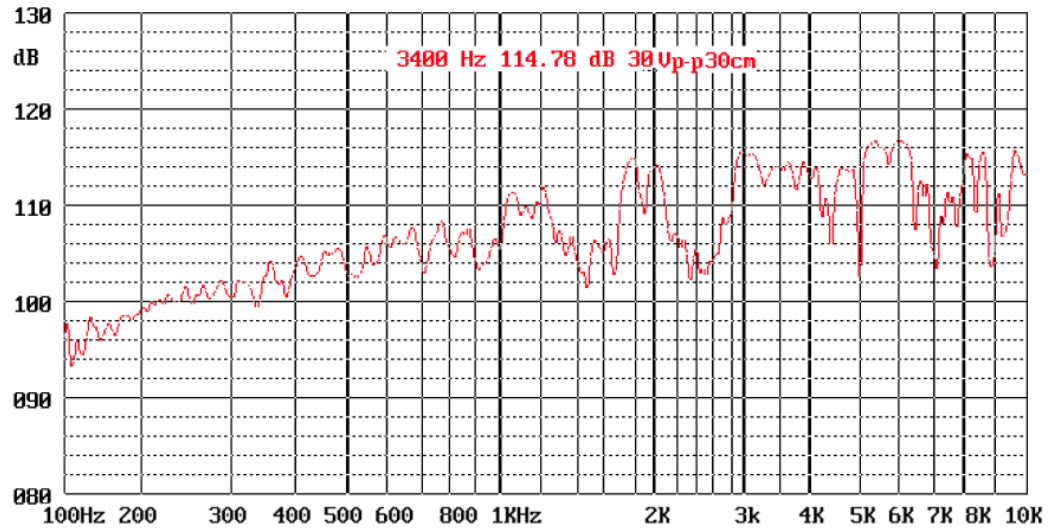

Operating Characteristics

ELECTRICAL

Rated Voltage	30 Vp-p
Max Operating Voltage	50 Vp-p
Max Current at V Rated	150 mA
Capacitance	200000 pF ± 30 % 100 Hz

ACOUSTIC

Min SPL at V Rated	105/85 dB
Test Conditions	30/305 cm
f_0	3400 ± 500 Hz



Physical Characteristics

MATERIALS

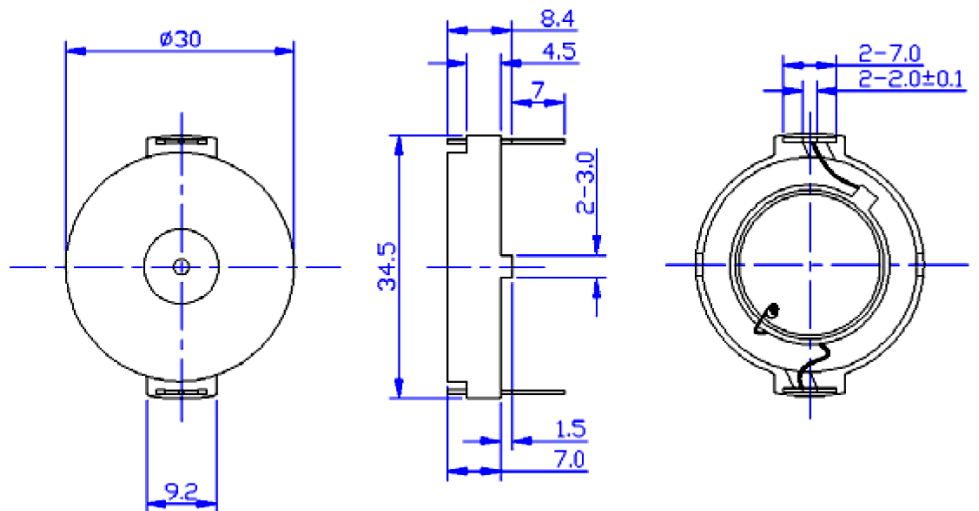
Housing	PPO (Black)
Diaphragm	Ni-alloy
PC Pin	Tin Plated Brass

TEMPERATURE RANGES

Operating	-20 to +70 °C
Storage	-30 to +80 °C

Weight 3.4 g

(Unit:mm, Tolerance: +/-0.3mm)



Revision	Description	By	Date
0-2019	Initial Specification Sheet	JL	2019-01-23
1-2019	Migrate to new format.	CF	2019-06-24

Warranty: For a period of one (1) year from date of shipping under normal operations conditions This warranty does not apply to products damaged through misuse, abuse, improper installation, alteration, rework, or attempt to repair.

The information contained herein is believed to be correct, but no guarantee or warranty, express or implied, with respect to accuracy, completeness or results is extended and no liability is assumed. Challenge Electronics reserves the right to make changes in any specification, data or material contained herein.

©2019 Challenge Electronics, Inc. 20190826155951