

CT38P-15T320-1

Former P/N: CT38PT-20320-1

Rev. 4-2023
RoHS3 & REACH
Piezoelectric Sound Transducers



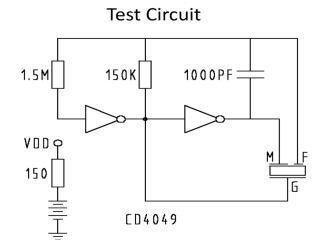
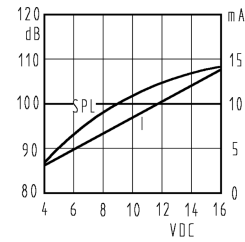
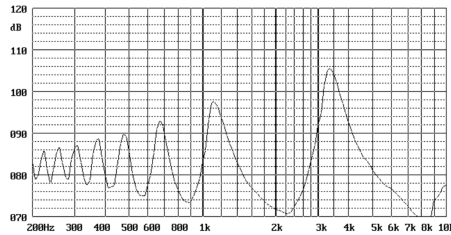
Operating Characteristics

ELECTRICAL

Rated Voltage	12 Vp-p
Max Operating Voltage	15 Vp-p
Max Current at V Rated	30 mA
Capacitance	26000 pF ± 30 % 100 Hz

ACOUSTIC

Min SPL at V Rated	85 dB
Test Conditions	300 cm
f_o	3200 Hz



Physical Characteristics

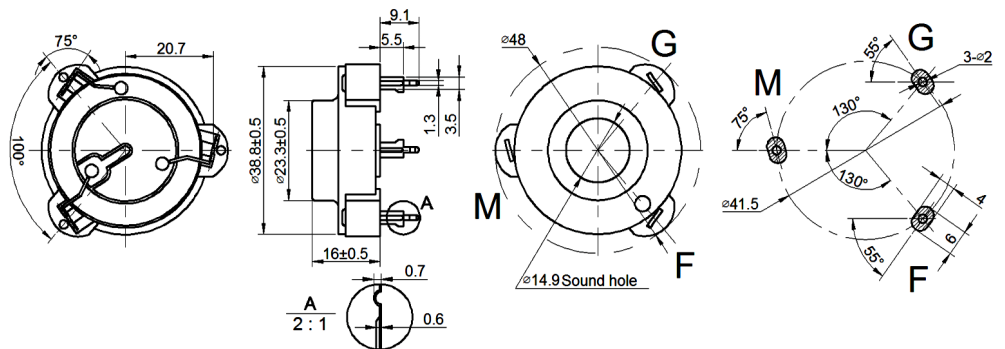
MATERIALS

Housing	ABS
Diaphragm	Steel
PC Pin	Brass

TEMPERATURE RANGES

Operating	-30 to +70 °C
Storage	-30 to +80 °C

Weight	9.1 g
--------	-------



All measurements in mm unless otherwise noted.

Revision	Description	By	Date
3-2021	Added Wave Solder Profile.	CT	2021-03-04
4-2023	Added part image.	SK	2023-05-08

Warranty: For a period of one (1) year from date of shipping under normal operations conditions. This warranty does not apply to products damaged through misuse, abuse, improper installation, alteration, rework, or attempt to repair.

The information contained herein is believed to be correct, but no guarantee or warranty, express or implied, with respect to accuracy, completeness or results is extended and no liability is assumed. Challenge Electronics reserves the right to make changes in any specification, data or material contained herein.