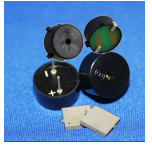


INDICATORS • SPEAKERS • SOUND TRANSDUCERS • ENCLOSURES • MICROPHONES • BATTERY ACCESSORIES

## CT38P-15T320-1

Former P/N: CT38PT-20320-1

Rev. 3-2021  
RoHS3 & REACH  
Piezoelectric Sound Transducers



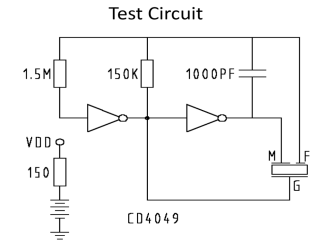
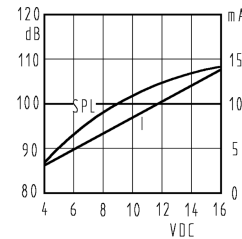
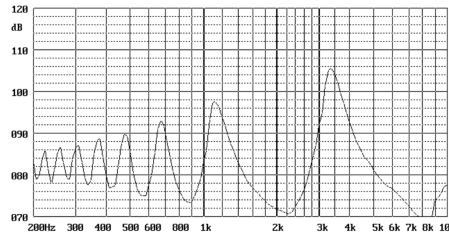
### Operating Characteristics

#### ELECTRICAL

|                        |                           |
|------------------------|---------------------------|
| Rated Voltage          | 12 Vp-p                   |
| Max Operating Voltage  | 15 Vp-p                   |
| Max Current at V Rated | 30 mA                     |
| Capacitance            | 26000 pF ± 30 %<br>100 Hz |

#### ACOUSTIC

|                    |         |
|--------------------|---------|
| Min SPL at V Rated | 85 dB   |
| Test Conditions    | 300 cm  |
| $f_0$              | 3200 Hz |



### Physical Characteristics

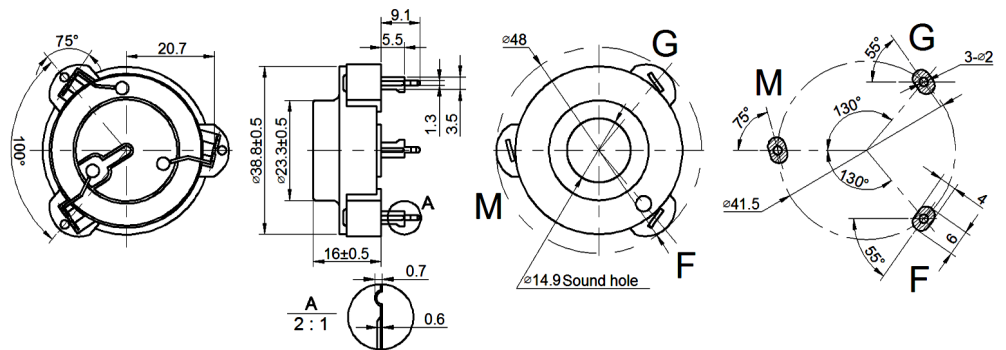
#### MATERIALS

|           |       |
|-----------|-------|
| Housing   | ABS   |
| Diaphragm | Steel |
| PC Pin    | Brass |

#### TEMPERATURE RANGES

|           |               |
|-----------|---------------|
| Operating | -30 to +70 °C |
| Storage   | -30 to +80 °C |

|        |       |
|--------|-------|
| Weight | 9.1 g |
|--------|-------|



All Measurements are mm unless noted otherwise.

| Revision | Description   | By | Date       |
|----------|---|----|------------|
| 2-2020   | Update mechanical dwg., frequency response and storage temp | WS | 2020-10-07 |
| 3-2021   | Added Wave Solder Profile.                                  | CT | 2021-03-04 |

Warranty: For a period of one (1) year from date of shipping under normal operations conditions. This warranty does not apply to products damaged through misuse, abuse, improper installation, alteration, rework, or attempt to repair.

The information contained herein is believed to be correct, but no guarantee or warranty, express or implied, with respect to accuracy, completeness or results is extended and no liability is assumed. Challenge Electronics reserves the right to make changes in any specification, data or material contained herein.  
©2021 Challenge Electronics, Inc. Pub. 20210304124306