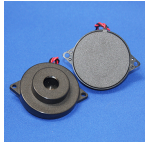


## CT46P-40W320-1

Former P/N: CEPT400I130-140-32W100R

Rev. 2-2023  
RoHS3 & REACH  
Piezoelectric Sound Transducers



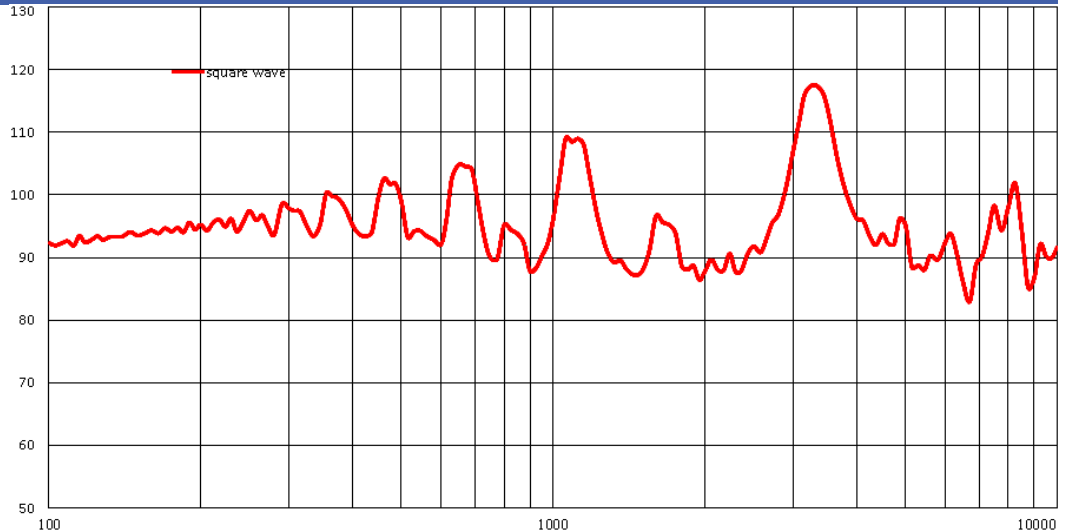
### Operating Characteristics

#### ELECTRICAL

|                        |                            |
|------------------------|----------------------------|
| Rated Voltage          | 9 Vp-p                     |
| Max Operating Voltage  | 40 Vp-p                    |
| Max Current at V Rated | 5 mA                       |
| Capacitance            | 27000 pF ± 30 %<br>1000 Hz |

#### ACOUSTIC

|                    |         |
|--------------------|---------|
| Min SPL at V Rated | 110 dB  |
| Test Conditions    | 10 cm   |
| $f_o$              | 3200 Hz |



### Physical Characteristics

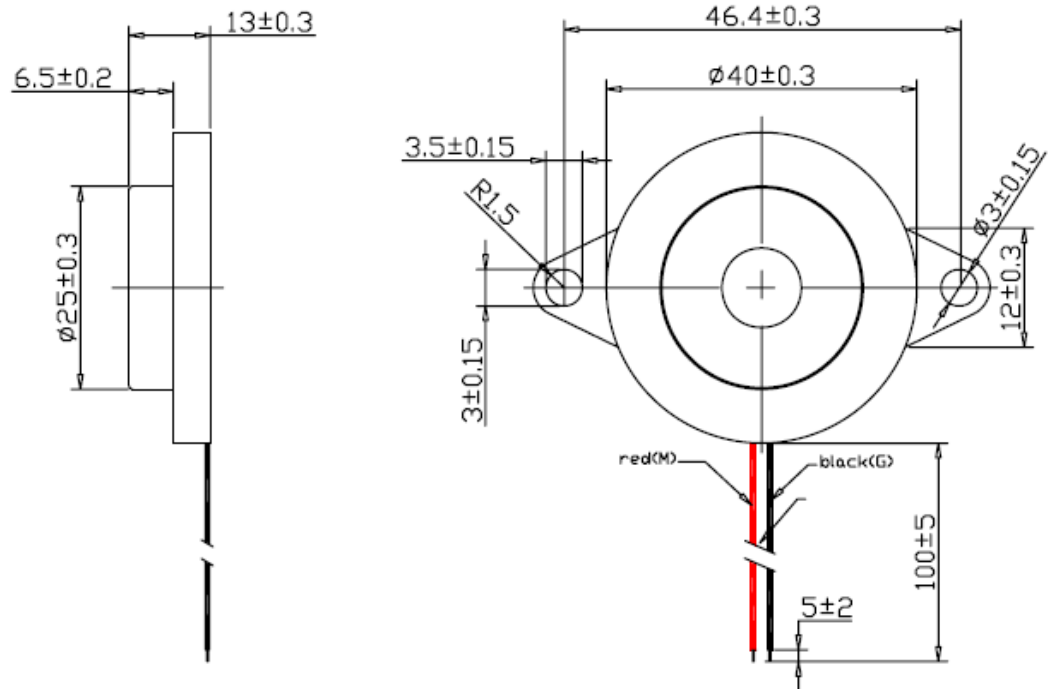
#### MATERIALS

|           |                 |
|-----------|-----------------|
| Housing   | ABS777D         |
| Diaphragm | Stainless Steel |
| Wire      | 28 AWG, UL 1095 |

#### TEMPERATURE RANGES

|           |               |
|-----------|---------------|
| Operating | -30 to +70 °C |
| Storage   | -40 to +85 °C |

Weight 5 g



All measurements in mm unless otherwise noted.

| Revision | Description           | By | Date       |
|----------|-----------------------|----|------------|
| 1-2019   | Migrate to new format | JL | 2019-06-21 |
| 2-2023   | Added part image.     | SK | 2023-05-08 |

Warranty: For a period of one (1) year from date of shipping under normal operations conditions. This warranty does not apply to products damaged through misuse, abuse, improper installation, alteration, rework, or attempt to repair.

The information contained herein is believed to be correct, but no guarantee or warranty, express or implied, with respect to accuracy, completeness or results is extended and no liability is assumed. Challenge Electronics reserves the right to make changes in any specification, data or material contained herein.