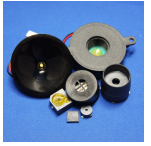


# CT47Z-30W320-1

 Rev. 1-2021  
 RoHS3 & REACH  
 Piezo Element Sound Transducers


## Operating Characteristics

### ELECTRICAL

Max Operating Voltage	30 Vp-p
Max Resonant Impedance	100 Ω
Capacitance	140000 pF ± 30% 120 Hz

### ACOUSTIC: Free Air

$f_0$	3200 Hz
-------	---------

## Physical Characteristics

### MATERIAL

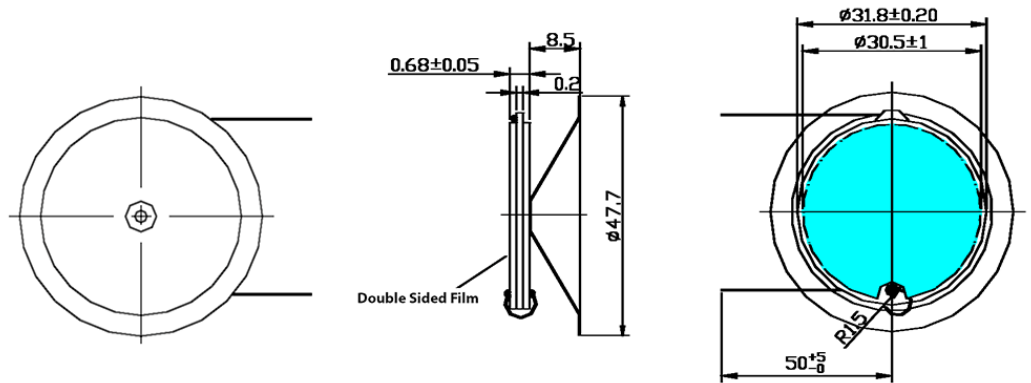
Diaphragm	Brass Disc with PEI Diaphragm
Wire	Bronze Braided Wire

### TEMPERATURE RANGES

Operating	-20 to +60 °C
Storage	-20 to +70 °C

Weight	4.2 g
--------	-------

Unless otherwise specified, tolerance: ±0.5(unit:mm)



All Measurements are mm unless noted otherwise.

Revision	Description	By	Date
0-2021	Original Specification	CT	2021-04-09
1-2021	Updated piezo disc dimension from 30mm to 30.5mm in mechanical drawing.	CT	2021-08-05

Warranty: For a period of one (1) year from date of shipping under normal operations conditions. This warranty does not apply to products damaged through misuse, abuse, improper installation, alteration, rework, or attempt to repair.

The information contained herein is believed to be correct, but no guarantee or warranty, express or implied, with respect to accuracy, completeness or results is extended and no liability is assumed. Challenge Electronics reserves the right to make changes in any specification, data or material contained herein.

©2021 Challenge Electronics, Inc. Pub. 20210805135459