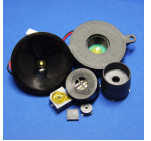


## CT51P-30T250-1

Rev. 0-2023  
RoHS3 & REACH  
Piezoelectric Sound Transducers



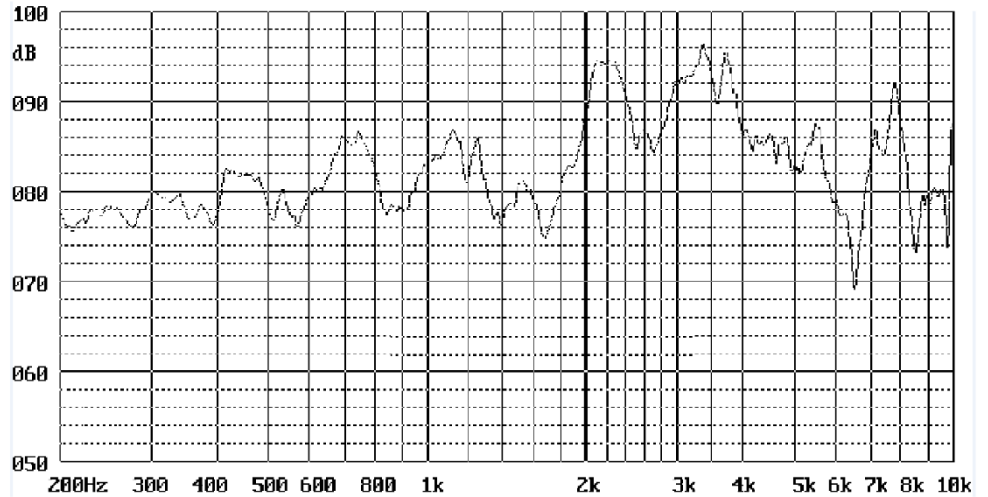
### Operating Characteristics

#### ELECTRICAL

Rated Voltage	18 Vp-p
Max Operating Voltage	30 Vp-p
Max Current at V Rated	100 mA
Capacitance	140000 pF ± 30 % 100 Hz

#### ACOUSTIC

Min SPL at V Rated	90 dB
Test Conditions	300 cm
$f_0$	2500 Hz



### Physical Characteristics

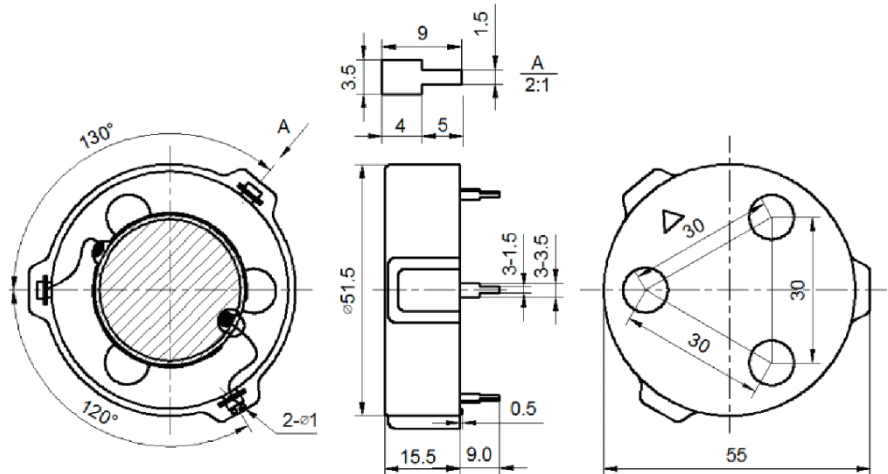
#### MATERIALS

Housing	Nylon
Diaphragm	Brass
PC Pins	Tin Plated Brass

#### TEMPERATURE RANGES

Operating	-20 to +95 °C
Storage	-20 to +105 °C

Weight	14 g
--------	------



General tolerance = ±0.5 mm and all measurements in mm unless otherwise noted.

Revision	Description	By	Date
0-2023	Original Specification	AL	2023-04-10

Warranty: For a period of one (1) year from date of shipping under normal operations conditions. This warranty does not apply to products damaged through misuse, abuse, improper installation, alteration, rework, or attempt to repair.

The information contained herein is believed to be correct, but no guarantee or warranty, express or implied, with respect to accuracy, completeness or results is extended and no liability is assumed. Challenge Electronics reserves the right to make changes in any specification, data or material contained herein.