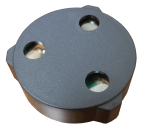


CT54P-60T350-1

 Rev. 0-2019
 RoHS3 & REACH
 Piezoelectric Sound Transducers


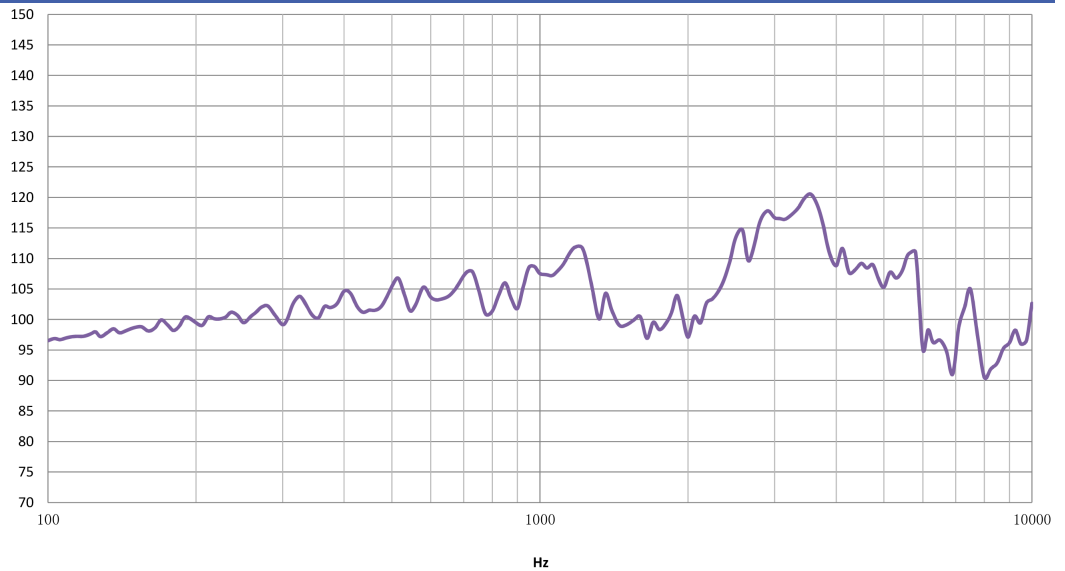
Operating Characteristics

ELECTRICAL

Rated Voltage	18 Vp-p
Max Operating Voltage	60 Vp-p
Max Current at V Rated	50 mA
Capacitance	120000 pF ± 30 % 120 Hz

ACOUSTIC

Min SPL at V Rated	90 dB
Test Conditions	300 cm
f_o	3500



Physical Characteristics

MATERIALS

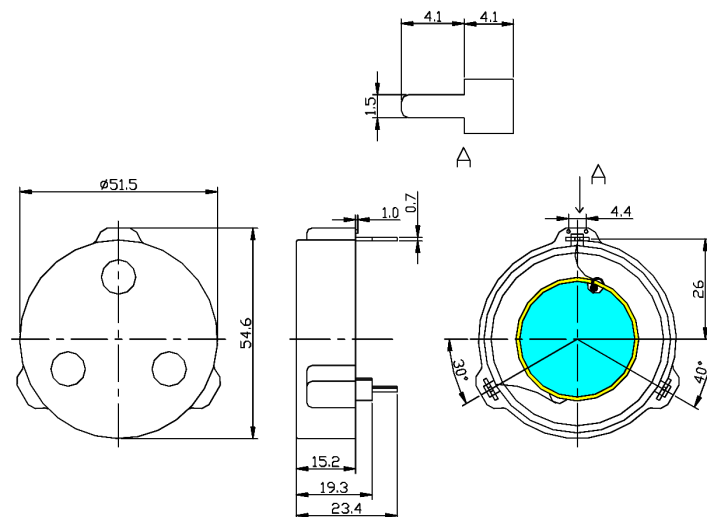
Housing	Nylon
Diaphragm	Brass
PC Pin	Red Copper (DSn)

TEMPERATURE RANGES

Operating	-40 to +105 °C
Storage	-40 to +105 °C

Weight	14 g
--------	------

Unless otherwise specified, tolerance: ± 0.5(unit:mm)



Revision	Description	By	Date
0-2019	Initial Specification Sheet	JL	2019-06-18

Warranty: For a period of one (1) year from date of shipping under normal operations conditions This warranty does not apply to products damaged through misuse, abuse, improper installation, alteration, rework, or attempt to repair.