

CT61P-30W100-1

Former P/N: CEPT-440R140-130-100W110R

Rev. 3-2023
RoHS3 & REACH
Piezoelectric Sound Transducers



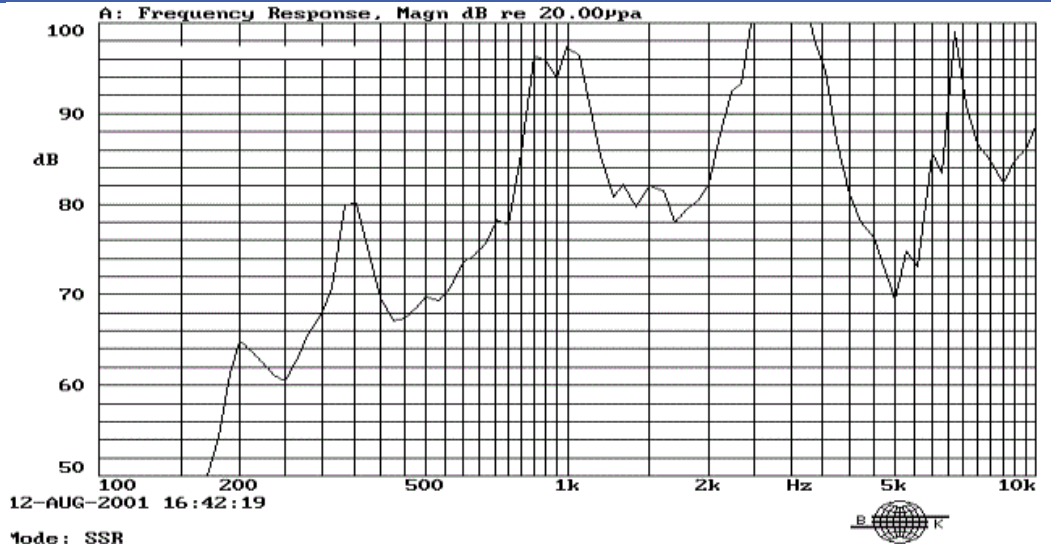
Operating Characteristics

ELECTRICAL

Rated Voltage	12 Vp-p
Max Operating Voltage	30 Vp-p
Max Current at V Rated	3 mA
Capacitance	77000 pF ± 30 % 120 Hz

ACOUSTIC

Min SPL at V Rated	85 dB
Test Conditions	10 cm
f_0	1000 Hz



Physical Characteristics

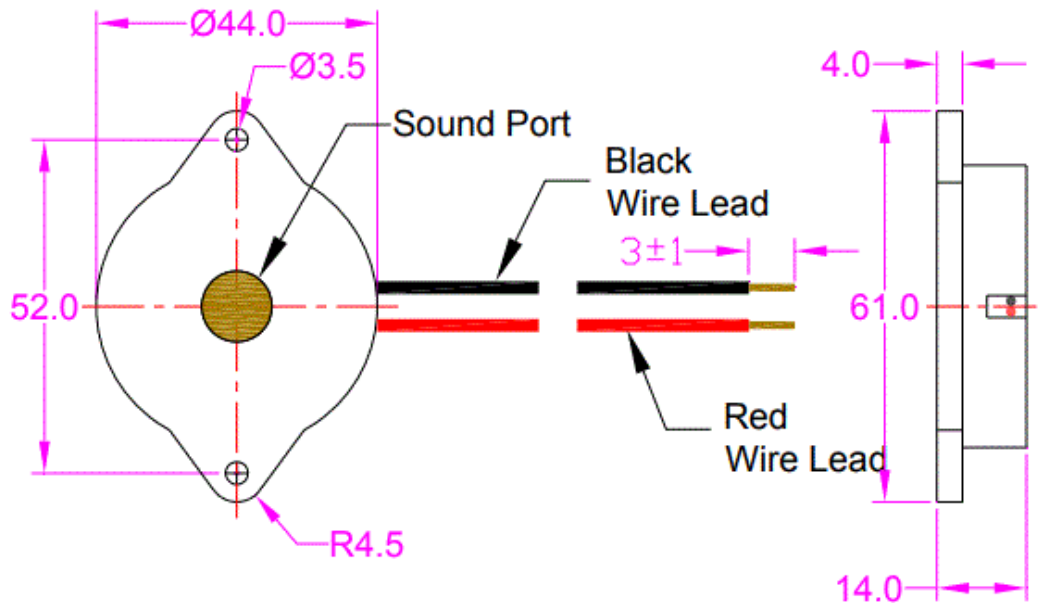
MATERIALS

Housing	Plastic, ABS, Black
Diaphragm	Brass
Wire	28 AWG, UL1095

TEMPERATURE RANGES

Operating	-20 to +60 °C
Storage	-30 to +75 °C

Weight 10 g



All measurements in mm unless otherwise noted.

Revision	Description	By	Date
2-2019	Migrate to new format	JL	2019-06-21
3-2023	Added part image.	SK	2023-05-08

Warranty: For a period of one (1) year from date of shipping under normal operations conditions. This warranty does not apply to products damaged through misuse, abuse, improper installation, alteration, rework, or attempt to repair.

The information contained herein is believed to be correct, but no guarantee or warranty, express or implied, with respect to accuracy, completeness or results is extended and no liability is assumed. Challenge Electronics reserves the right to make changes in any specification, data or material contained herein.