

CT63P-60T300-1

Rev. 2-2023
RoHS3 & REACH
Piezoelectric Sound Transducers



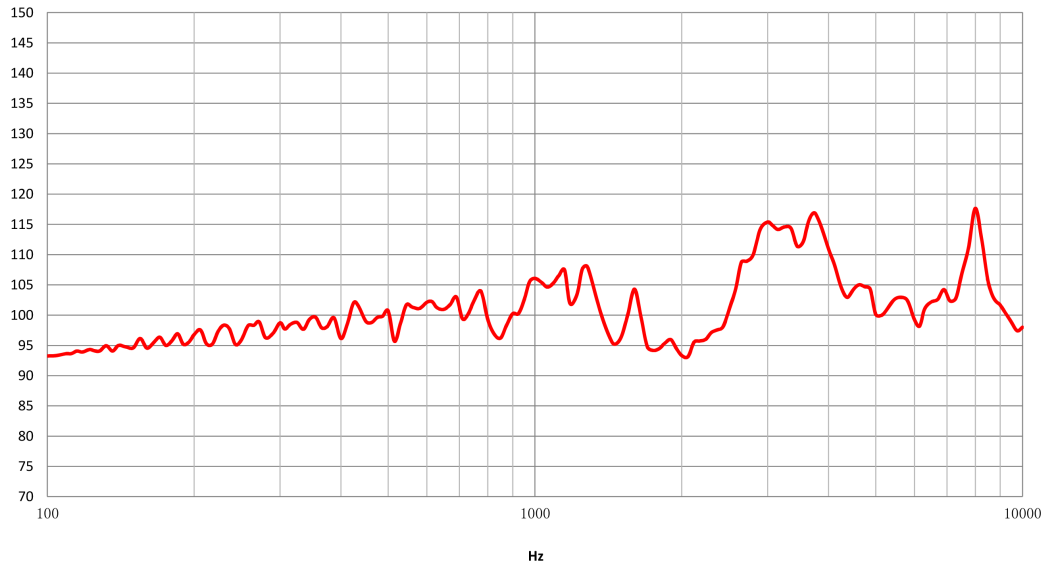
Operating Characteristics

ELECTRICAL

Rated Voltage	12 Vp-p
Max Operating Voltage	60 Vp-p
Max Current at V Rated	25 mA
Capacitance	140000 pF ± 30 % 120 Hz

ACOUSTIC

Min SPL at V Rated	100 dB
Test Conditions	30 cm
f_0	3000 Hz



Physical Characteristics

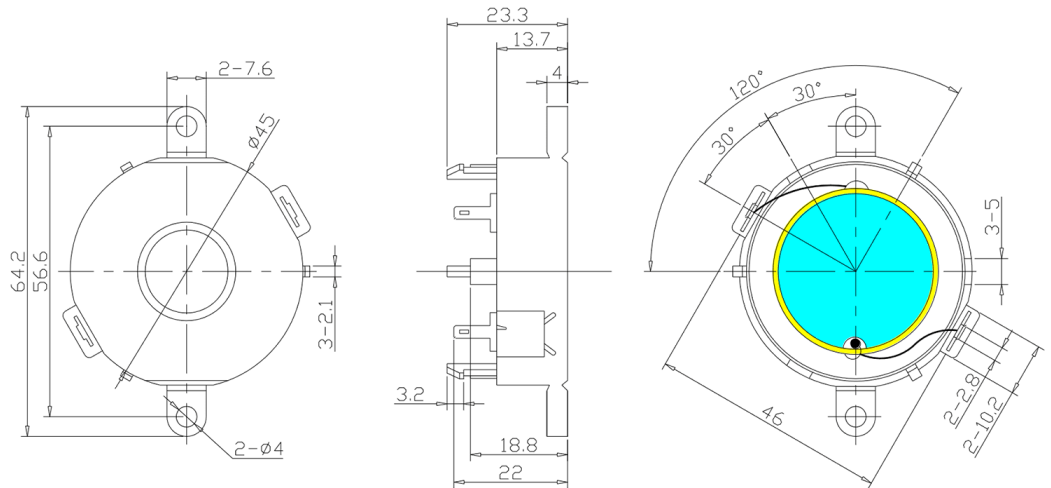
MATERIALS

Housing	Nylon
Diaphragm	Mylar with Brass Piezo Disc
PC Pin	Red Copper (DSn)

TEMPERATURE RANGES

Operating	-40 to +105 °C
Storage	-40 to +105 °C

Weight	13.5 g
--------	--------



General tolerance = ±0.5 mm and all measurements in mm unless otherwise noted.

Revision	Description	By	Date
1-2019	Migrate to new format. Updated max current from 7 mA to 25 mA.	JL	2019-06-18
2-2023	Updated part length from 63.6 to 64.2 mm, distance between wing holes from 56 to 56.6 mm, and mechanical drawing.	SK	2023-10-11

Warranty: For a period of one (1) year from date of shipping under normal operations conditions. This warranty does not apply to products damaged through misuse, abuse, improper installation, alteration, rework, or attempt to repair.

The information contained herein is believed to be correct, but no guarantee or warranty, express or implied, with respect to accuracy, completeness or results is extended and no liability is assumed. Challenge Electronics reserves the right to make changes in any specification, data or material contained herein.