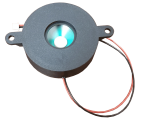


CT64P-60W340-1

Former P/N: CT64PW-60340-1

Rev. 2-2019
RoHS3 & REACH
Piezoelectric Sound Transducers



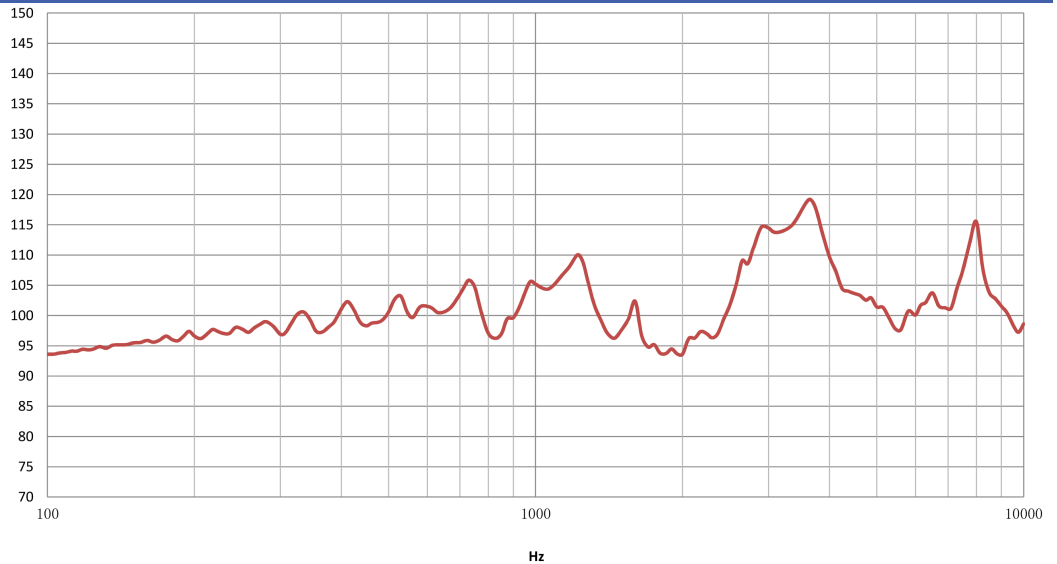
Operating Characteristics

ELECTRICAL

Rated Voltage	12 Vp-p
Max Operating Voltage	60 Vp-p
Max Current at V Rated	10 mA
Capacitance	140000 pF ± 30 % 120 Hz

ACOUSTIC

Min SPL at V Rated	80 dB
Test Conditions	300 cm
f_0	3400 Hz



Physical Characteristics

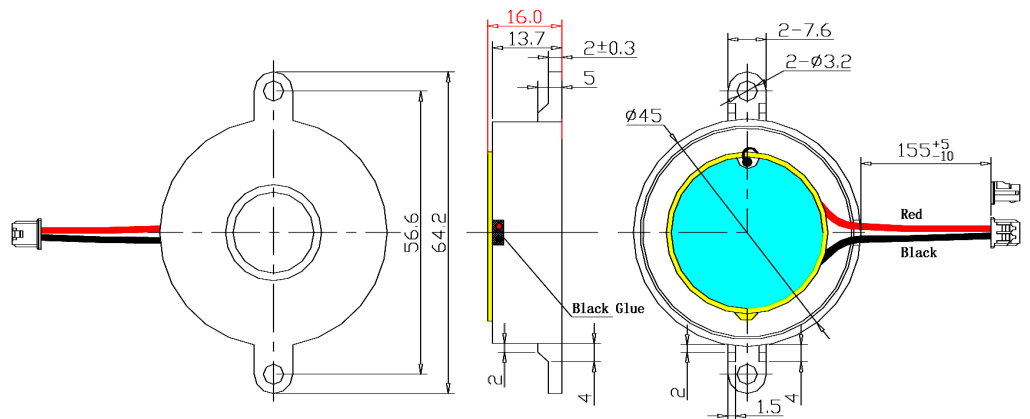
MATERIALS

Housing	Nylon
Diaphragm	Brass
Connector	Molex 51021-0200

TEMPERATURE RANGES

Operating	-40 to +105 °C
Storage	-40 to +105 °C

Weight	12.5 g
--------	--------



Revision	Description	By	Date
1-2019	Corrected capacitance from 140 pF to 140000 pF. Updated resonant frequency from 2200 Hz to 3400 Hz.	JL	2019-06-18
2-2019	Migrate to new format.	CF	2019-06-24

Warranty: For a period of one (1) year from date of shipping under normal operations conditions This warranty does not apply to products damaged through misuse, abuse, improper installation, alteration, rework, or attempt to repair.

The information contained herein is believed to be correct, but no guarantee or warranty, express or implied, with respect to accuracy, completeness or results is extended and no liability is assumed. Challenge Electronics reserves the right to make changes in any specification, data or material contained herein.