

INDICATORS • SPEAKERS • SOUND TRANSDUCERS • ENCLOSURES • MICROPHONES • BATTERY ACCESSORIES

CS12-00R40-02-1

Former P/N: CES120V020ZC32PMN450SR

Rev. 2-2019
RoHS3 & REACH
Mobile Speakers



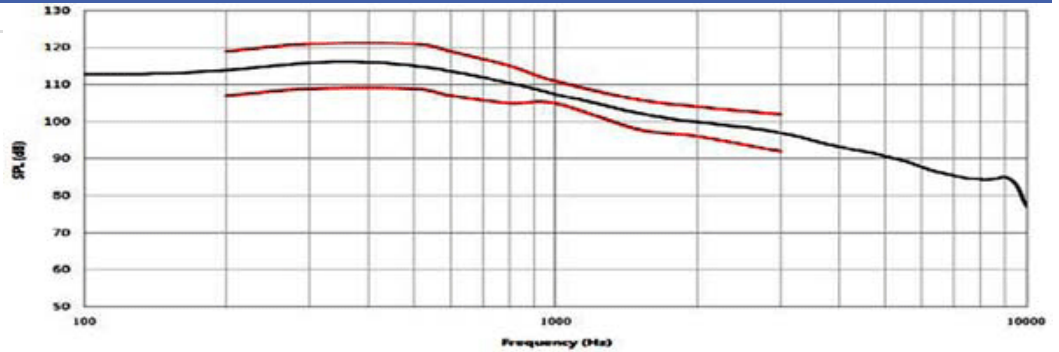
Operating Characteristics

ELECTRICAL

Rated Power	0.02 W
Short Term Max Power	0.03 W
Impedance	32 Ω ± 15 % 1000 Hz; 0.001 W

ACOUSTIC: IEC-318 Artificial Ear

f_0	400 Hz ± 20 % 0.001 W
Freq. Range	400 to 7000 Hz
Rated SPL	108 ± 3 dB 1000 Hz; 0.179 W; cm;
Distortion	8 % 500 - 1000 Hz; 0.001 W



Physical Characteristics

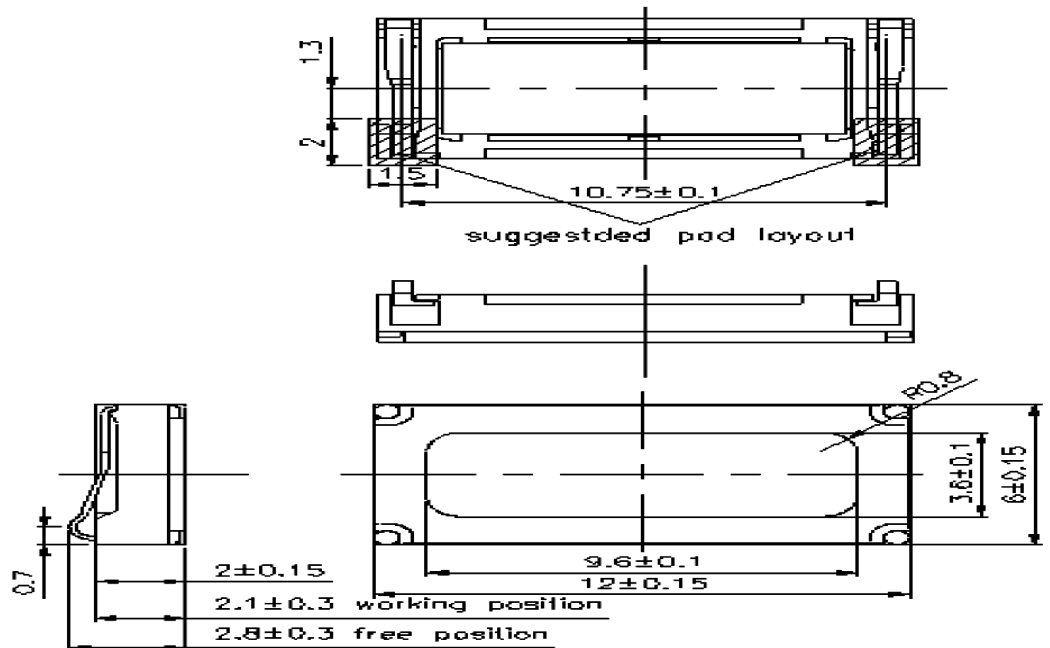
MATERIALS

Housing	Plastic
Cone	Mylar
Magnet	NdFeB
Spring	Tin Plated Stainless Steel, Gold Plated Stainless Steel

TEMPERATURE RANGES

Operating	-30 to +70 °C
Storage	-40 to +80 °C

Weight 0.4 g



Revision	Description	By	Date
1-2016	Minor revision of mechanical and acoustic properties, inc. Fo, SPL	WS	2017-06-15
2-2019	Migrate to new format	JL	2019-06-21

Warranty: For a period of one (1) year from date of shipping under normal operations conditions This warranty does not apply to products damaged through misuse, abuse, improper installation, alteration, rework, or attempt to repair.

The information contained herein is believed to be correct, but no guarantee or warranty, express or implied, with respect to accuracy, completeness or results is extended and no liability is assumed. Challenge Electronics reserves the right to make changes in any specification, data or material contained herein.
©2019 Challenge Electronics, Inc. 20190826154544