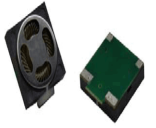


INDICATORS • SPEAKERS • SOUND TRANSDUCERS • ENCLOSURES • MICROPHONES • BATTERY ACCESSORIES

CS19-00S57-04-1

Former P/N: CES180S048AE08PMS500UR

Rev. 6-2019
RoHS3 & REACH
Speakers



Operating Characteristics

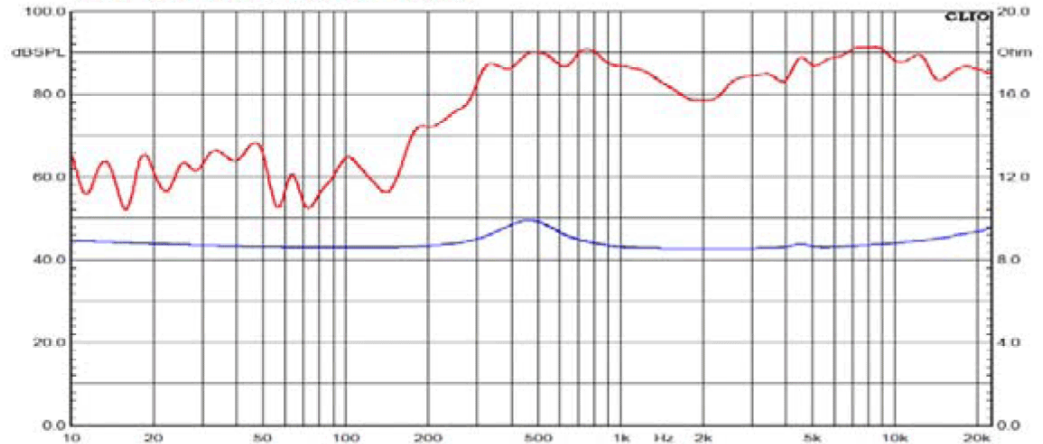
ELECTRICAL

Rated Power	0.3 W
Short Term Max Power	0.5 W
Impedance	8 Ω ± 15 % 1000 Hz; 0.3 W

ACOUSTIC: Baffle Board

f_0	575 Hz ± 20 % 0.3 W
Freq. Range	575 to 20000 Hz
Rated SPL	89 ± 3 dB 800, 1000, 1200, 1500 Hz; 0.3 W; 10 cm;
Distortion	10 % 1000 Hz; 0.3 W

SPL at 0.3W 0.1M test



Physical Characteristics

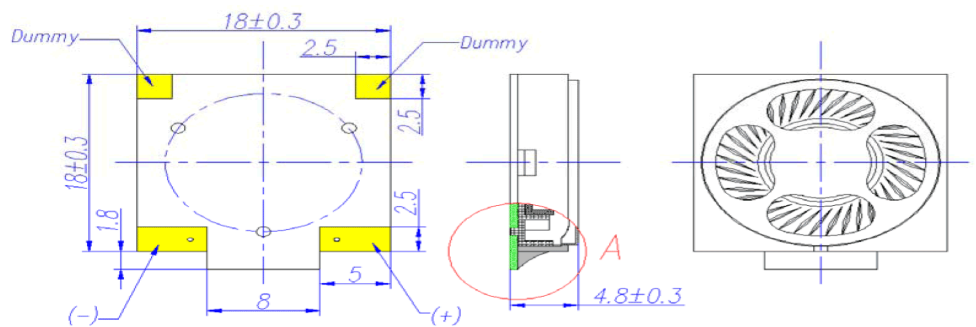
MATERIALS

Housing	Plastic
Cone	PI
Magnet	NdFeB
Solder Pad	Copper, Tin Plated

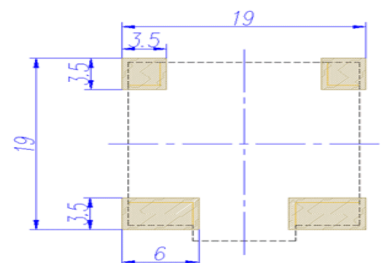
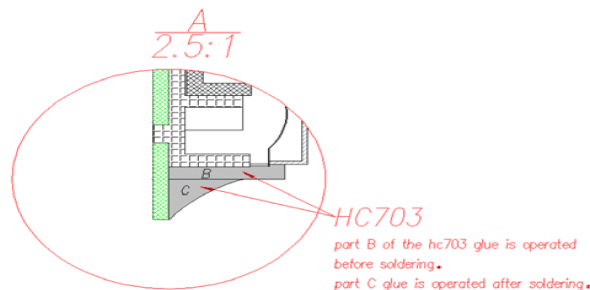
TEMPERATURE RANGES

Operating	-40 to +85 °C
Storage	-40 to +90 °C

Weight 2.65 g



layout



Revision	Description	By	Date
5-2018	Corrected SPL Wattage from 0.1 W to 0.3 W	JL	2018-10-29
6-2019	Migrate to new format.	CF	2019-06-24

Warranty: For a period of one (1) year from date of shipping under normal operations conditions This warranty does not apply to products damaged through misuse, abuse, improper installation, alteration, rework, or attempt to repair.