

INDICATORS • SPEAKERS • SOUND TRANSDUCERS • ENCLOSURES • MICROPHONES • BATTERY ACCESSORIES

CS10-00P100-02-1

Former P/N: CS100-00100-021

Rev. 3-2018
RoHS3 & REACH
Round Speakers



Operating Characteristics

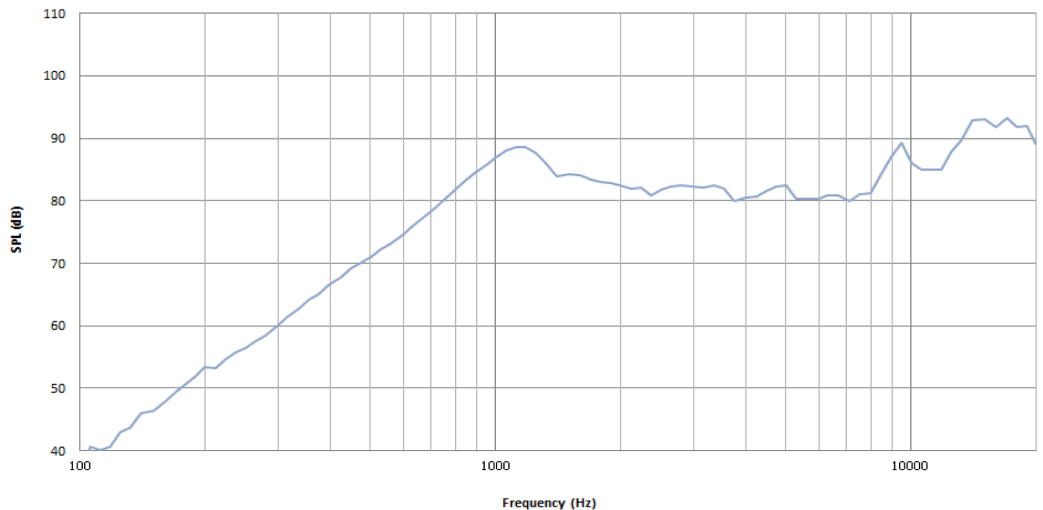
ELECTRICAL

Rated Power	0.5 W
Short Term Max Power	0.7 W
Impedance	8 Ω ± 15 % 1000 Hz; 0.125 W

ACOUSTIC: Baffle Board

f_0	1000 Hz ± 20 % 0.125 W
Freq. Range	1000 to 10000 Hz
Rated SPL	87 ± 3 dB 1000, 1180, 1500, 2000 Hz; 0.5 W; 10 cm;
Distortion	<20 % 2000 Hz; 0.5 W

0.5W/0.1m



Physical Characteristics

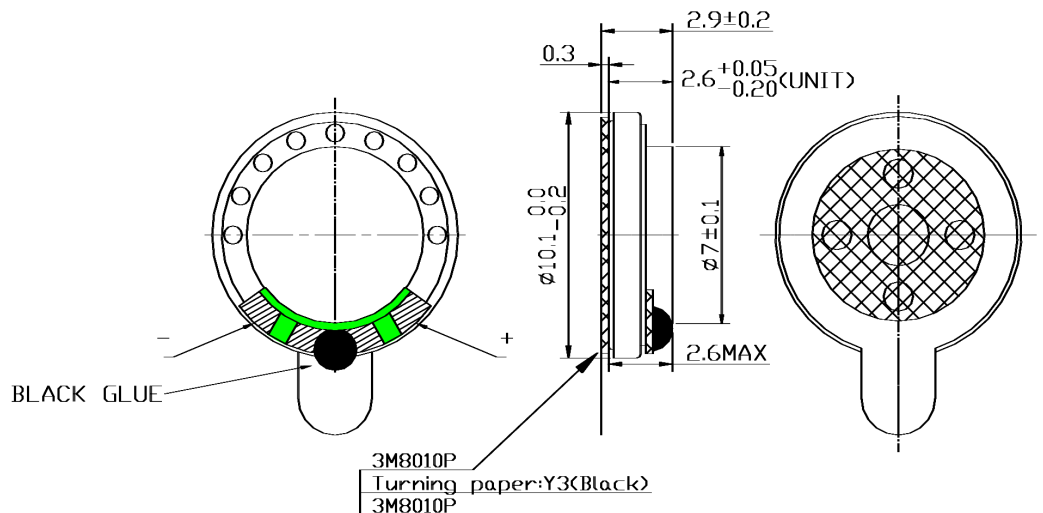
MATERIALS

Housing	Steel
Cone	Mylar
Magnet	NdFeB
Solder Pad	Tin Plated Copper

TEMPERATURE RANGES

Operating	-30 to +70 °C
Storage	-40 to +85 °C

Weight 0.6 g



Revision	Description	By	Date
2-2018	Updated THD Curve	JL	2018-07-27
3-2018	Migrate to new format.	JL	2018-11-13

Warranty: For a period of one (1) year from date of shipping under normal operations conditions This warranty does not apply to products damaged through misuse, abuse, improper installation, alteration, rework, or attempt to repair.

The information contained herein is believed to be correct, but no guarantee or warranty, express or implied, with respect to accuracy, completeness or results is extended and no liability is assumed. Challenge Electronics reserves the right to make changes in any specification, data or material contained herein.