

## CS102-05D23-47-1

Rev. 1-2023  
RoHS3 & REACH  
Square Speakers



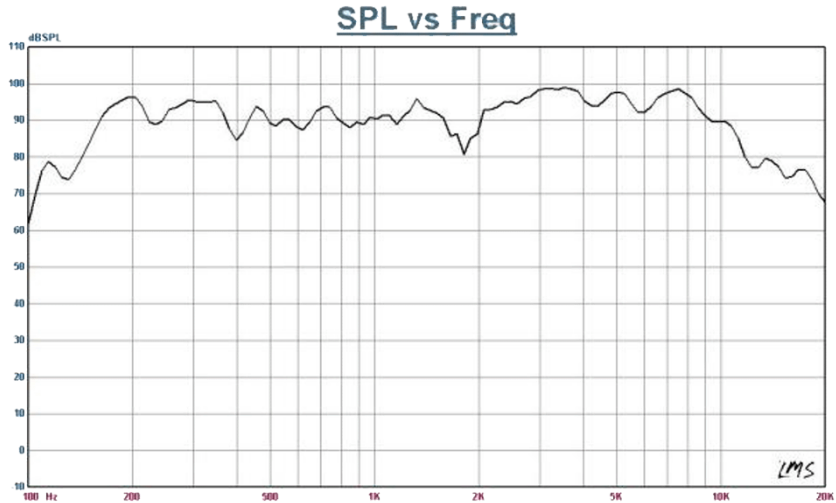
### Operating Characteristics

#### ELECTRICAL

Rated Power	5 W
Short Term Max Power	10 W
Impedance	4 Ω ± 15 % 1000 Hz; 0.25 W

#### ACOUSTIC: Baffle Board

$f_o$	232 Hz ± 20 % 0.25 W
Freq. Range	232 to 18000 Hz
Rated SPL	89.1 ± 3 dB 400, 600, 800, 1000, 1500 Hz; AVG; 1 W; 100 cm
Distortion	Max 5 % 1000 Hz; 0.25 W



### Physical Characteristics

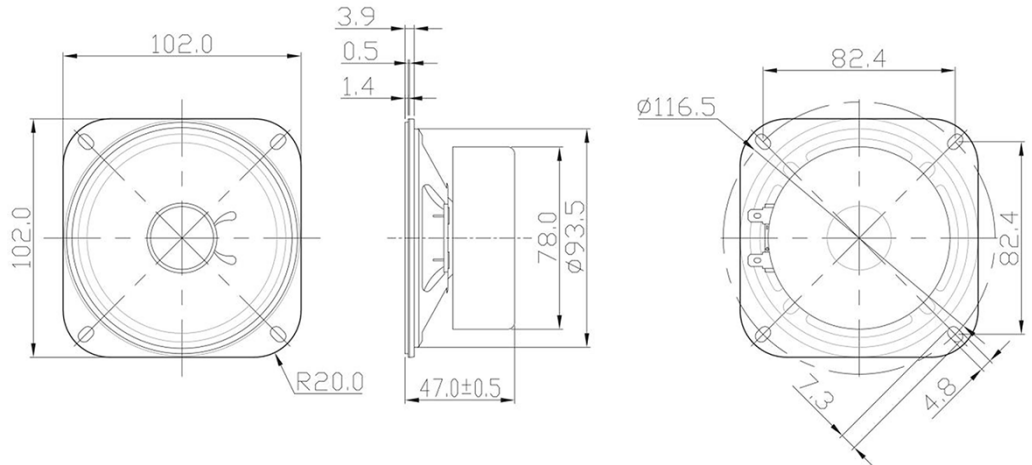
#### MATERIALS

Housing	Steel
Cone	Paper
Magnet	2 x Ferrite
Solder Tabs	Tin Plated Iron

#### TEMPERATURE RANGES

Operating	-25 to +65 °C
Storage	-30 to +70 °C

Weight	1100 g
--------	--------



General tolerance = ±0.3 mm and all measurements in mm unless otherwise noted.

Revision	Description	By	Date
0-2021	Original Specification	CT	2021-10-22
1-2023	Updated Mechanical Drawing and SPL-Frequency Response.	SK	2023-08-10

Warranty: For a period of one (1) year from date of shipping under normal operations conditions. This warranty does not apply to products damaged through misuse, abuse, improper installation, alteration, rework, or attempt to repair.

The information contained herein is believed to be correct, but no guarantee or warranty, express or implied, with respect to accuracy, completeness or results is extended and no liability is assumed. Challenge Electronics reserves the right to make changes in any specification, data or material contained herein.