

CS100-00100-021

Rev. 0-2018
RoHS3 & REACH
Round Speakers



Operating Characteristics

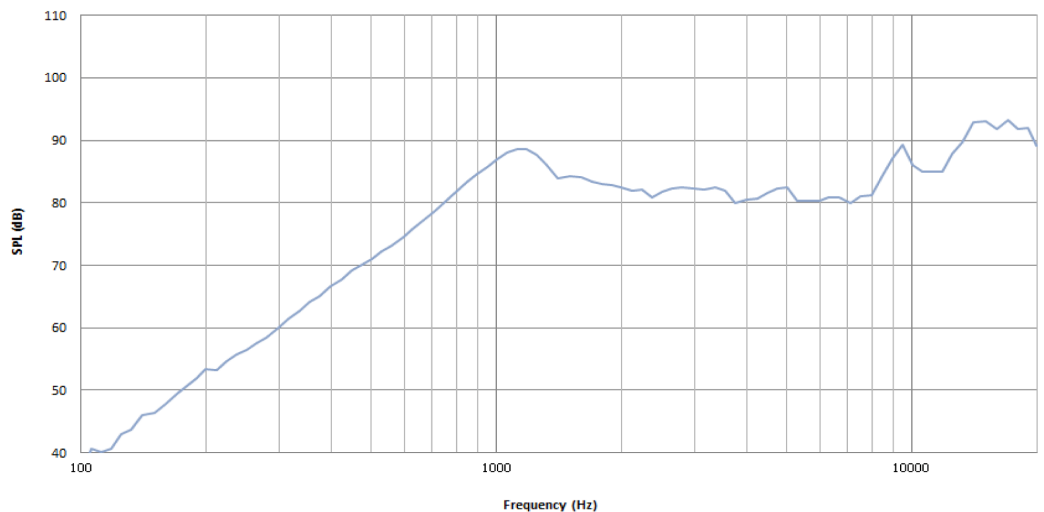
ELECTRICAL

Rated Power	0.5 W
Short Term Max Power	0.7 W
Impedance	8 Ω ± 15 %

ACOUSTIC: Baffle Board

f_o	1000 Hz ± 20 %
Freq. Range	1000 to 10000 Hz
Min SPL	87 ± 3 dB
Test Conditions	1000, 1180, 1500, 2000 Hz; 0.5 W; 10 cm;
Distortion	<20 % 2000 Hz; 0.5 W

0.5W/0.1m



Physical Characteristics

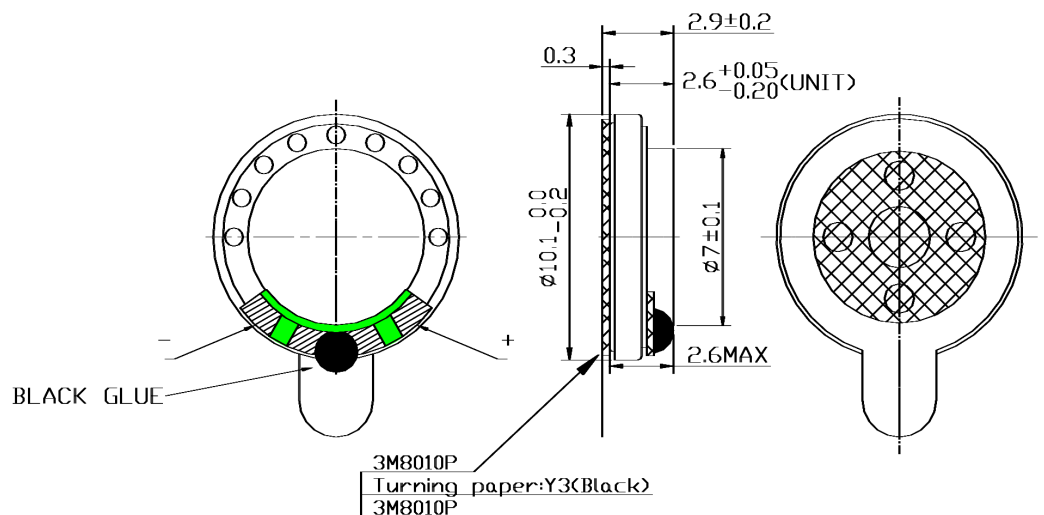
MATERIALS

Frame	Steel
Cone	Mylar
Magnet	NdFeB

TEMPERATURE RANGES

Operating	-30 to +70 °C
Storage	-40 to +85 °C

Weight	0.6 g
Number of Magnets	1
Termination	Solder Point



Revision	Description	By	Date
0-2018	Migrate to new format	WS	2018-06-27

Warranty: For a period of one (1) year from date of shipping under normal operations conditions This warranty does not apply to products damaged through misuse, abuse, improper installation, alteration, rework, or attempt to repair.