

## CS117-05D14-51-1

Former P/N: 5060CE-1

Rev. 3-2019  
RoHS3 & REACH  
Square Speakers



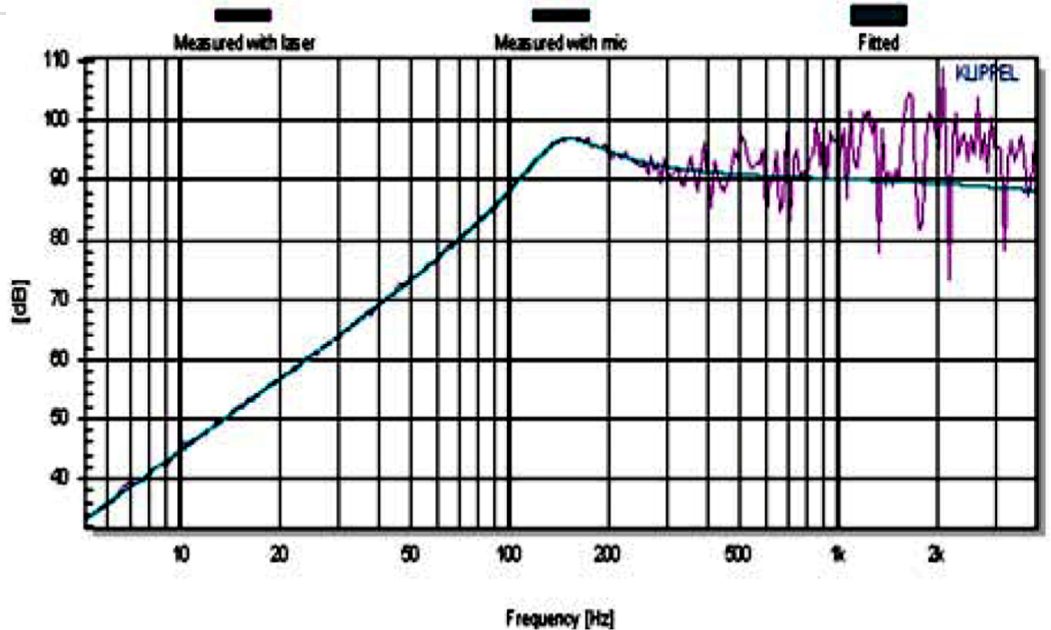
### Operating Characteristics

#### ELECTRICAL

Rated Power	5.0 W
Short Term Max Power	10.0 W
Impedance	8 Ω ± 15 % 800 Hz; 0.125 W

#### ACOUSTIC: Baffle Board

$f_0$	140 Hz ± 20 % 0.125 W
Freq. Range	140 to 10000 Hz
Rated SPL	90 ± 2 dB 100, 500, 800, 1000 Hz; 1.0 W; 100 cm;
Distortion	<7 % 1000 Hz; 3.125 W



### Physical Characteristics

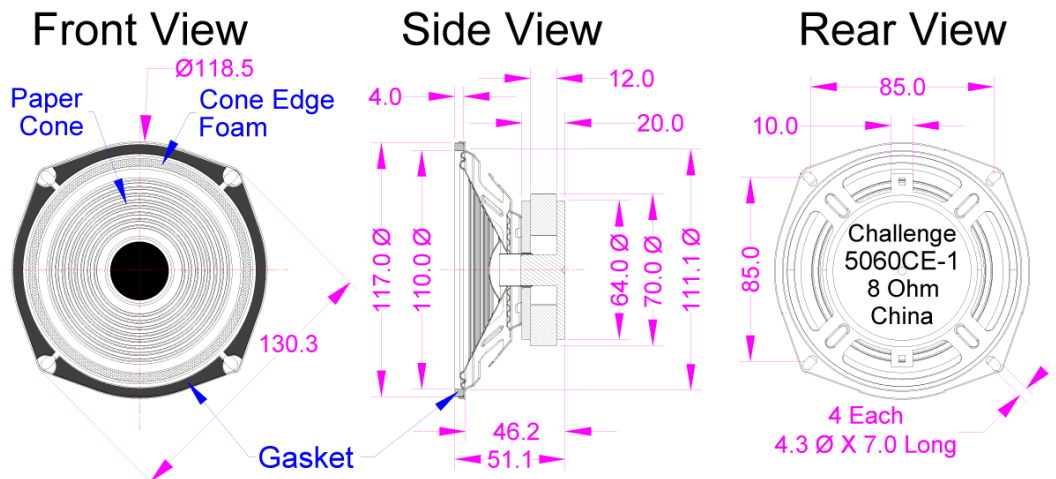
#### MATERIALS

Housing	Black Steel
Cone	Paper with Foam Edge
Magnet	NdFeB
Solder Tab	Tin Plated Copper

#### TEMPERATURE RANGES

Operating	-10 to +55 °C
Storage	-20 to +65 °C

Weight 440 g



Revision	Description	By	Date
2-2019	Updated frame material per Engineering Change Notice CE-ECN-061319-5060CE-1.	JL	2019-06-18
3-2019	Migrate to new format.	CF	2019-06-24

Warranty: For a period of one (1) year from date of shipping under normal operations conditions This warranty does not apply to products damaged through misuse, abuse, improper installation, alteration, rework, or attempt to repair.

The information contained herein is believed to be correct, but no guarantee or warranty, express or implied, with respect to accuracy, completeness or results is extended and no liability is assumed. Challenge Electronics reserves the right to make changes in any specification, data or material contained herein.

©2019 Challenge Electronics, Inc. 20190829150028