

CS12-00P43-02-1X

 Rev. 0-2024
 RoHS3 & REACH
 IP67 Front Face
 Mobile Speakers

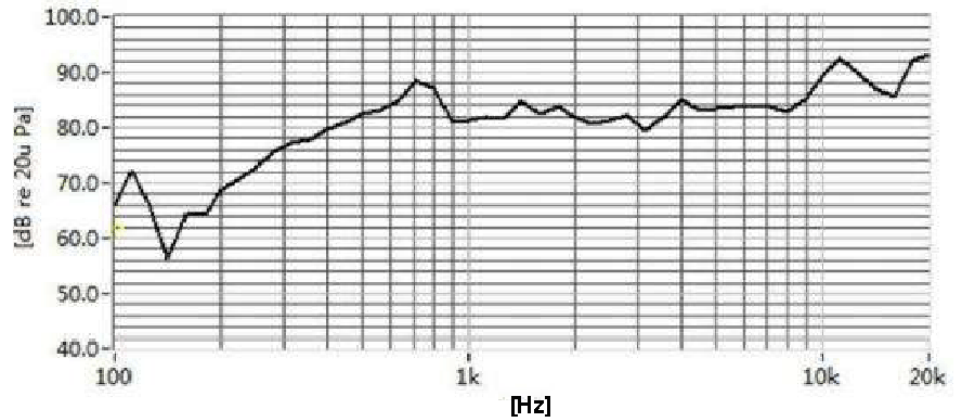

Operating Characteristics: 1cc Sealed Enclosure

ELECTRICAL

Rated Power	0.7 W
Short Term Max Power	1 W
Impedance	8 Ω ± 20 % 2000 Hz; 0.1 W

ACOUSTIC

f_o	430 Hz ± 20 % In free air
Freq. Range	344 to 20,000 Hz
Rated SPL	81 ± 3 dB 2000 Hz; AVG; 0.1 W; 10 cm
Distortion	Max 10 % 1000 Hz; 0.1 W



Physical Characteristics

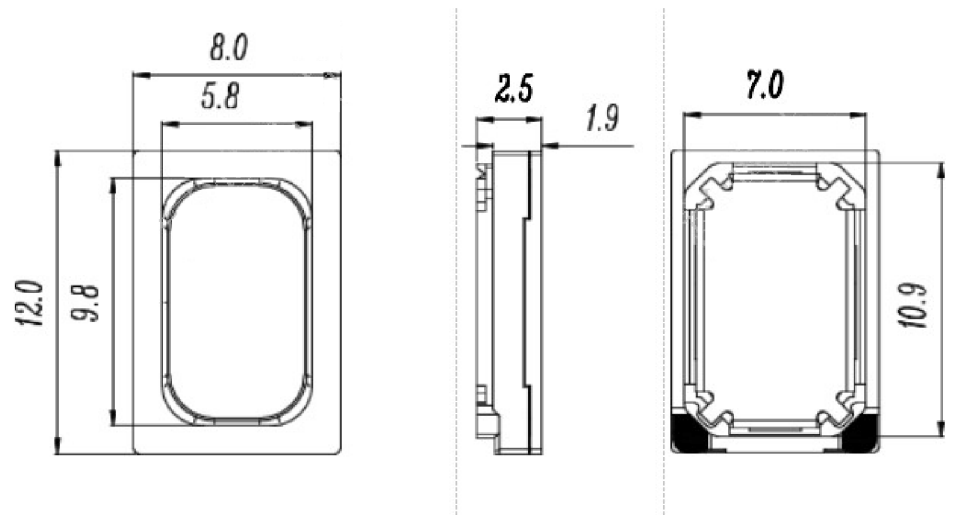
MATERIALS

Housing	PBT
Cone	PEEK + Aluminum
Magnet	NdFeB
Solder Pads	Copper

TEMPERATURE RANGES

Operating	-20 to +70 °C
Storage	-40 to +80 °C

Weight 0.8 g



General tolerance = ±0.3 mm and all measurements in mm unless otherwise noted.

Revision	Description	By	Date
0-2024	Original Specification	AL	2024-05-29

Warranty: For a period of one (1) year from date of shipping under normal operations conditions. This warranty does not apply to products damaged through misuse, abuse, improper installation, alteration, rework, or attempt to repair.

The information contained herein is believed to be correct, but no guarantee or warranty, express or implied, with respect to accuracy, completeness or results is extended and no liability is assumed. Challenge Electronics reserves the right to make changes in any specification, data or material contained herein.