

INDICATORS • SPEAKERS • SOUND TRANSDUCERS • ENCLOSURES • MICROPHONES • BATTERY ACCESSORIES

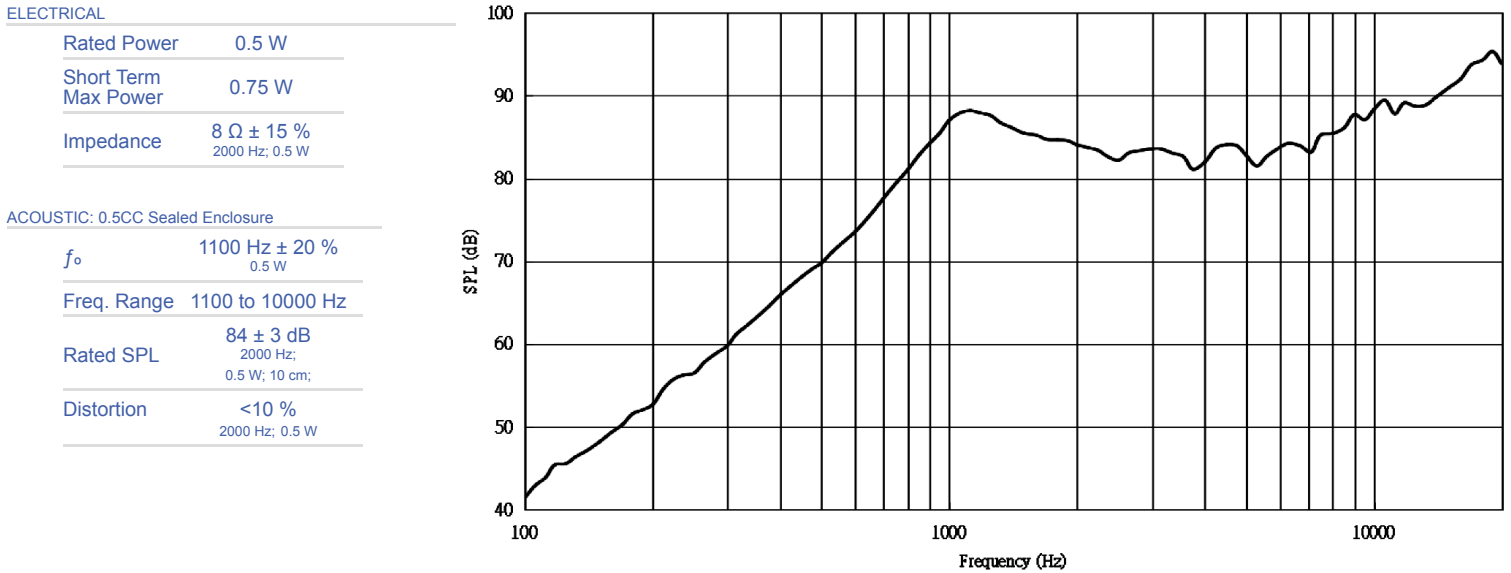
CS12-00R110-02-1X

Former P/N: CS12R-0095-021

Rev. 3-2019
RoHS3 & REACH & IPX7
Mobile Speakers



Operating Characteristics



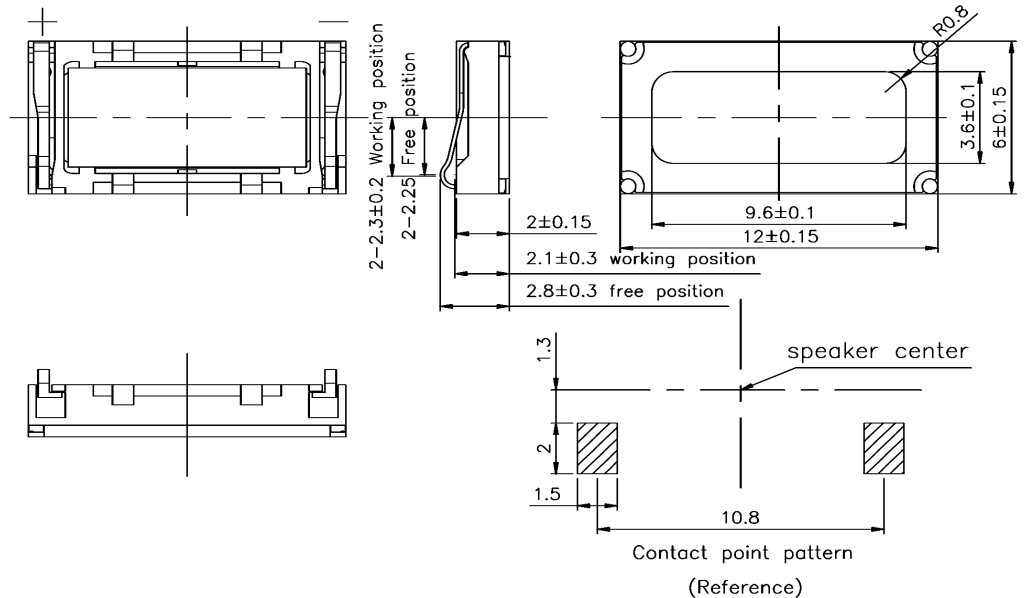
Physical Characteristics

MATERIALS	
Housing	LCP
Cone	PEEK
Magnet	NdFeB
Spring	Stainless Steel

TEMPERATURE RANGES	
Operating	-20 to +70 °C
Storage	-40 to +85 °C

Weight	0.4 g
--------	-------

Unit: mm Tolerance: ±0.2



Revision	Description	By	Date
2-2019	Updated rated wattage from 0.35 W to 0.5 W, maximum short term wattage from 0.7 W to 0.75 W, SPL from 81 dB to 84 dB, resonant frequency from 950 Hz to 1100 Hz, and distortion testing conditions.	JL	2019-04-08
3-2019	Migrate to new format.	CF	2019-06-24

Warranty: For a period of one (1) year from date of shipping under normal operations conditions This warranty does not apply to products damaged through misuse, abuse, improper installation, alteration, rework, or attempt to repair.

The information contained herein is believed to be correct, but no guarantee or warranty, express or implied, with respect to accuracy, completeness or results is extended and no liability is assumed. Challenge Electronics reserves the right to make changes in any specification, data or material contained herein.