

INDICATORS • SPEAKERS • SOUND TRANSDUCERS • ENCLOSURES • MICROPHONES • BATTERY ACCESSORIES

## CS12-00R60-02-1X

Former P/N: CS12R-0060-021

Rev. 1-2020  
RoHS3 & REACH & IP67  
Mobile Speakers



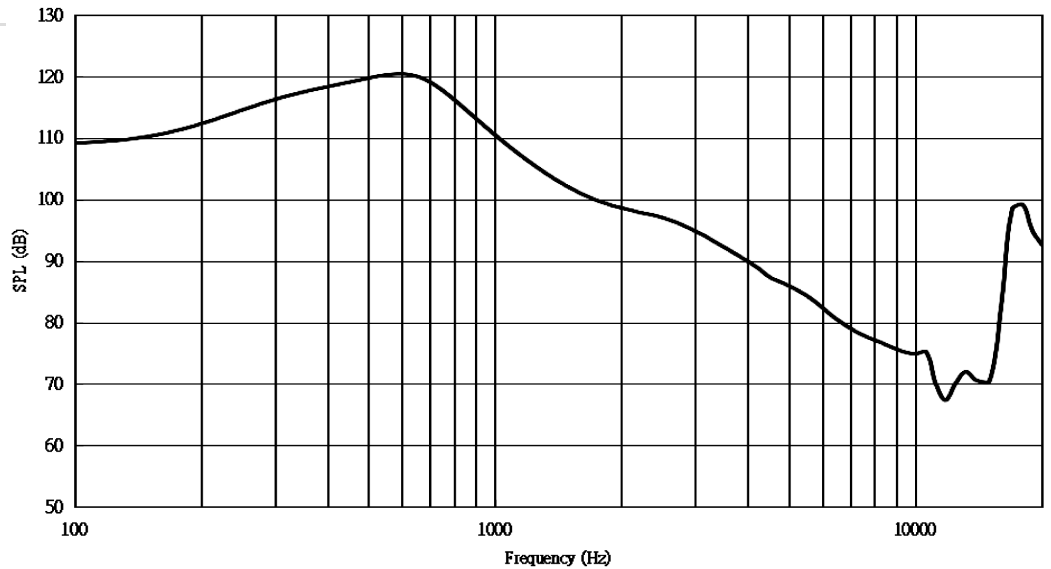
### Operating Characteristics

#### ELECTRICAL

Rated Power	0.02 W
Short Term Max Power	0.03 W
Impedance	30 Ω ± 15 % 1000 Hz; 0.001 W

#### ACOUSTIC: IEC-318 Artificial Ear

$f_0$	600 Hz ± 20 % 0.001 W
Freq. Range	600 to 7000 Hz
Rated SPL	110 ± 3 dB 1000 Hz; 0.001 W; cm;
Distortion	Max 8 % 1000 Hz; 0.001 W



### Physical Characteristics

#### MATERIALS

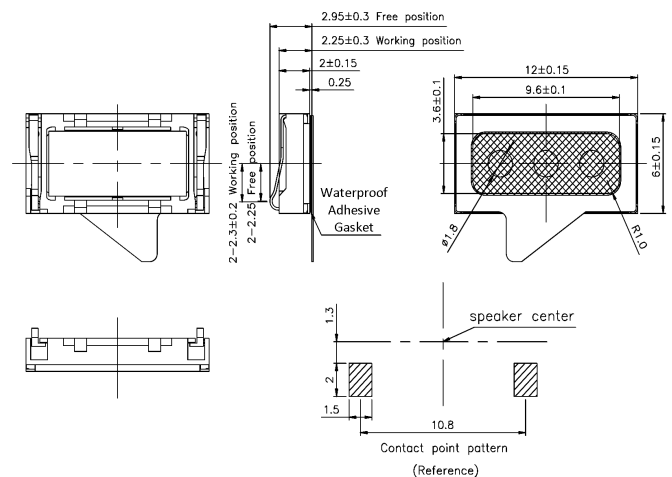
Housing	Black LCP
Cone	PEEK
Magnet	NdFeB
Spring	Stainless Steel

#### TEMPERATURE RANGES

Operating	-30 to +70 °C
Storage	-40 to +85 °C

Weight 0.4 g

Unless otherwise specified, tolerance: ±0.2 (unit:mm)



Revision	Description	By	Date
0-2019	Initial Specification Sheet	JL	2019-02-15
1-2020	Corrected mechanical drawing dimension from 0.9 mm radius to 1.0 mm radius and updated height call-out of 3.05 mm thickness to 2.95 mm thickness without pull tab label.	JL	2020-03-06

Warranty: For a period of one (1) year from date of shipping under normal operations conditions This warranty does not apply to products damaged through misuse, abuse, improper installation, alteration, rework, or attempt to repair.

The information contained herein is believed to be correct, but no guarantee or warranty, express or implied, with respect to accuracy, completeness or results is extended and no liability is assumed. Challenge Electronics reserves the right to make changes in any specification, data or material contained herein.