

INDICATORS • SPEAKERS • SOUND TRANSDUCERS • ENCLOSURES • MICROPHONES • BATTERY ACCESSORIES

CS13-00P105-03-1

Former P/N: CES130R030AH08SMN1050UR

Rev. 4-2019
RoHS3 & REACH
Round Speakers



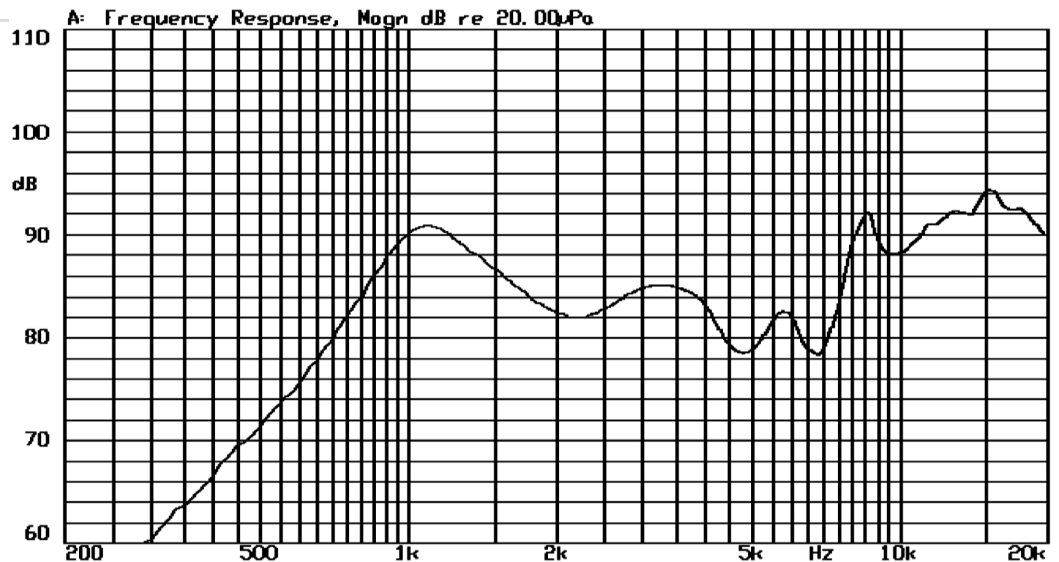
Operating Characteristics

ELECTRICAL

Rated Power	0.5 W
Short Term Max Power	0.8 W
Impedance	8 Ω ± 15 % 2000 Hz; 0.125 W

ACOUSTIC: Baffle Board

f_0	1050 Hz ± 15 % 0.125 W
Freq. Range	1050 to 5000 Hz
Rated SPL	87 ± 3 dB 1000, 1200, 1500, 2000 Hz; 0.1 W; 10 cm;
Distortion	15 % 1500 Hz; 0.5 W



Physical Characteristics

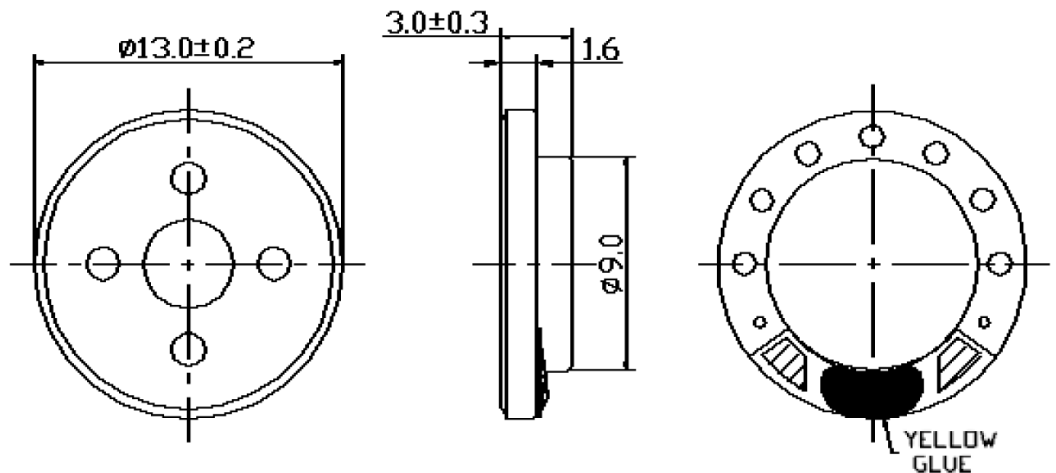
MATERIALS

Housing	Steel
Cone	Mylar
Magnet	NdFeB
Solder Pad	Tin Plated Copper

TEMPERATURE RANGES

Operating	-30 to +60 °C
Storage	-40 to +70 °C

Weight 0.8 g



Revision	Description	By	Date
3-2018	Updated distortion from "5% MAX. at 1KHz, 0.5W" to "15% MAX. at 1.5 KHz, 0.5 W" and Corrected Test Process Input Power from 1 W to 0.1 W.	JL	2018-06-26
4-2019	Migrate to new format.	JL	2019-06-21

Warranty: For a period of one (1) year from date of shipping under normal operations conditions This warranty does not apply to products damaged through misuse, abuse, improper installation, alteration, rework, or attempt to repair.

The information contained herein is believed to be correct, but no guarantee or warranty, express or implied, with respect to accuracy, completeness or results is extended and no liability is assumed. Challenge Electronics reserves the right to make changes in any specification, data or material contained herein.

©2019 Challenge Electronics, Inc. 20190909101214