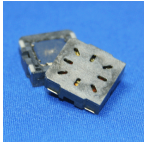


## CS13-00S85-04-6

Rev. 1-2024  
RoHS3 & REACH  
Surface Mount Speakers



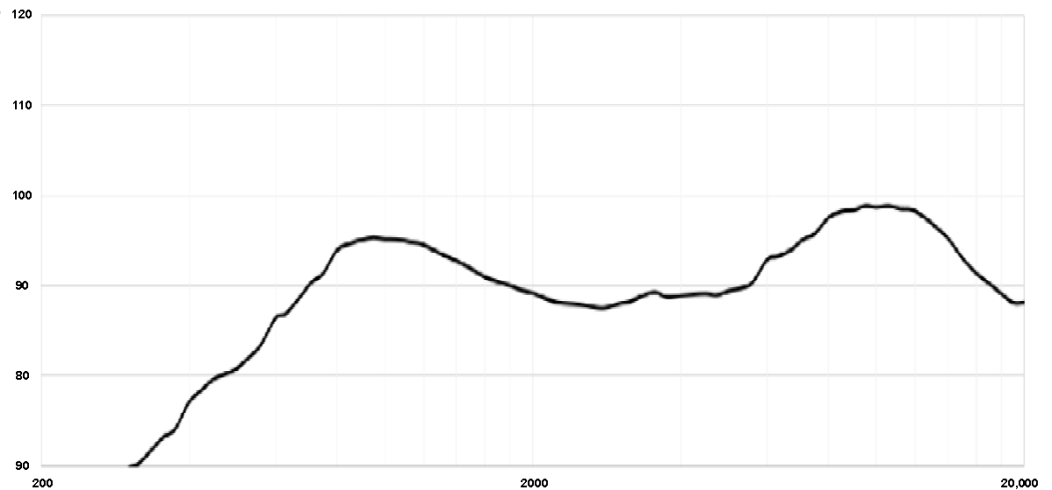
### Operating Characteristics

#### ELECTRICAL

Rated Power	0.7 W
Short Term Max Power	1.0 W
Impedance	8 Ω ± 20 % 2000 Hz; 0.7 W

#### ACOUSTIC: Baffle Board

$f_o$	850 Hz ± 20 % 10 cm; 0.7 W
Freq. Range	680 to 20,000 Hz
Rated SPL	90 ± 3 dB 1000, 1600, 2000, 3200 Hz; AVG; 0.7 W; 10 cm
Distortion	Max 10 % 2200 Hz; 0.7 W



### Physical Characteristics

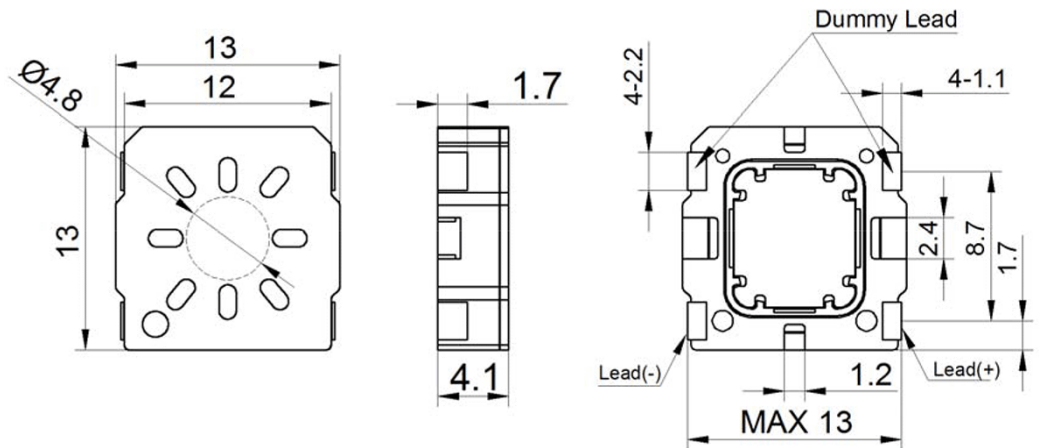
#### MATERIALS

Housing	LCP
Cone	PI
Magnet	Samarium Cobalt
Solder Pads	Tin Plated Copper

#### TEMPERATURE RANGES

Operating	-30 to +85 °C
Storage	-40 to +105 °C

Weight	1.2 g
--------	-------



General tolerance = ±0.5 mm and all measurements in mm unless otherwise noted.

Revision	Description	By	Date
0-2023	Original Specification.	AL	2023-03-09
1-2024	Updated frequency range.	SK	2024-02-22

Warranty: For a period of one (1) year from date of shipping under normal operations conditions. This warranty does not apply to products damaged through misuse, abuse, improper installation, alteration, rework, or attempt to repair.

The information contained herein is believed to be correct, but no guarantee or warranty, express or implied, with respect to accuracy, completeness or results is extended and no liability is assumed. Challenge Electronics reserves the right to make changes in any specification, data or material contained herein.

