

## CS13-00W105-03-1X

Former P/N: CS13W-00105-031

Rev. 2-2019  
RoHS3 & REACH  
IP67 Front Face  
Round Speakers



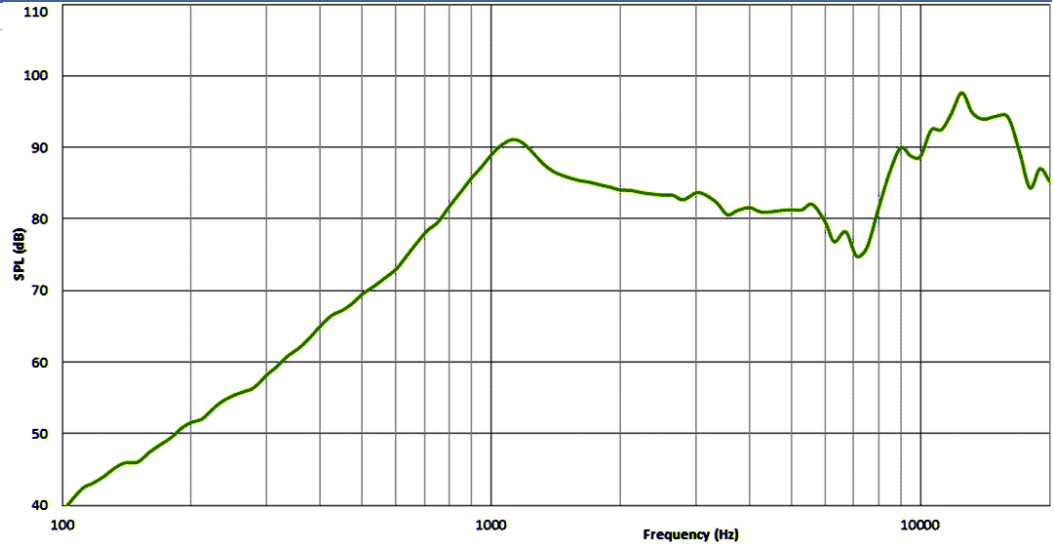
### Operating Characteristics

#### ELECTRICAL

|                      |                                |
|----------------------|--------------------------------|
| Rated Power          | 0.5 W                          |
| Short Term Max Power | 0.8 W                          |
| Impedance            | 8 Ω ± 15 %<br>2000 Hz; 0.125 W |

#### ACOUSTIC: Baffle Board

|             |  |
|-------------|--|
| $f_o$       | 1050 Hz ± 15 %<br>0.125 W                                |
| Freq. Range | 1050 to 5000 Hz  |
| Rated SPL   | 87 ± 3 dB<br>1000, 1200, 1500, 2000 Hz;<br>0.1 W; 10 cm; |
| Distortion  | <15 %<br>1500 Hz; 0.5 W                                  |



### Physical Characteristics

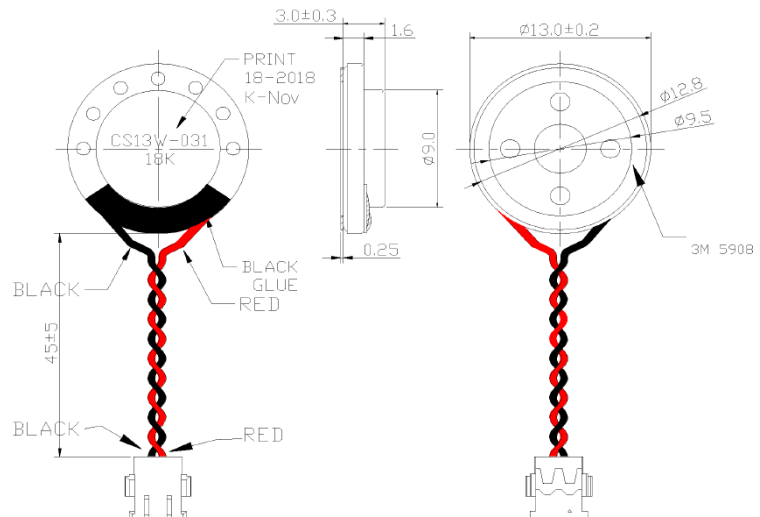
#### MATERIALS

|           |                  |
|-----------|------------------|
| Housing   | Steel            |
| Cone      | Mylar            |
| Magnet    | NdFeB            |
| Wire      | UL 1571, 30 AWG  |
| Connector | Molex 78172-0002 |

#### TEMPERATURE RANGES

|           |               |
|-----------|---------------|
| Operating | -30 to +60 °C |
| Storage   | -40 to +70 °C |

|        |       |
|--------|-------|
| Weight | 0.8 g |
|--------|-------|



All measurements in mm unless otherwise noted.

| Revision | Description  | By | Date       |
|----------|--|----|------------|
| 1-2019   | Migrate to new format.   | CF | 2019-06-24 |
| 2-2019   | Updated mechanical drawing with adhesive liner pull tab and 5 wire twists per 25.4 mm. | JL | 2019-10-24 |

Warranty: For a period of one (1) year from date of shipping under normal operations conditions. This warranty does not apply to products damaged through misuse, abuse, improper installation, alteration, rework, or attempt to repair.

The information contained herein is believed to be correct, but no guarantee or warranty, express or implied, with respect to accuracy, completeness or results is extended and no liability is assumed. Challenge Electronics reserves the right to make changes in any specification, data or material contained herein.