

INDICATORS • SPEAKERS • SOUND TRANSDUCERS • ENCLOSURES • MICROPHONES • BATTERY ACCESSORIES

CS134-08D12-51-1

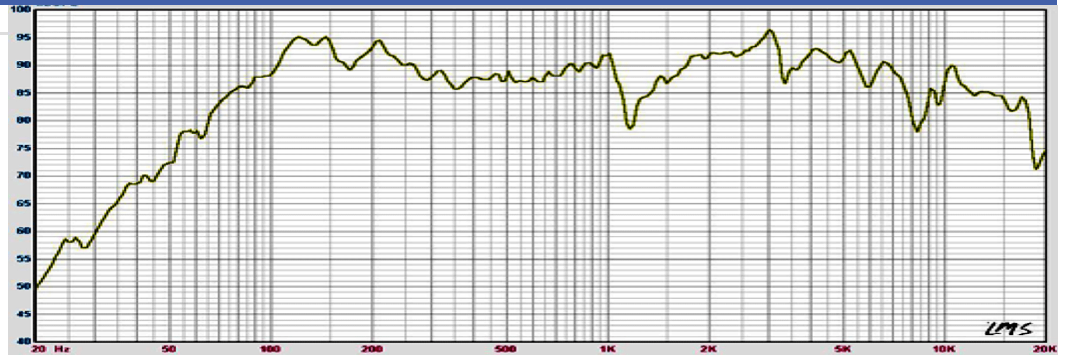
Former P/N: 51410CE

Rev. 3-2019
RoHS3 & REACH
Square Speakers



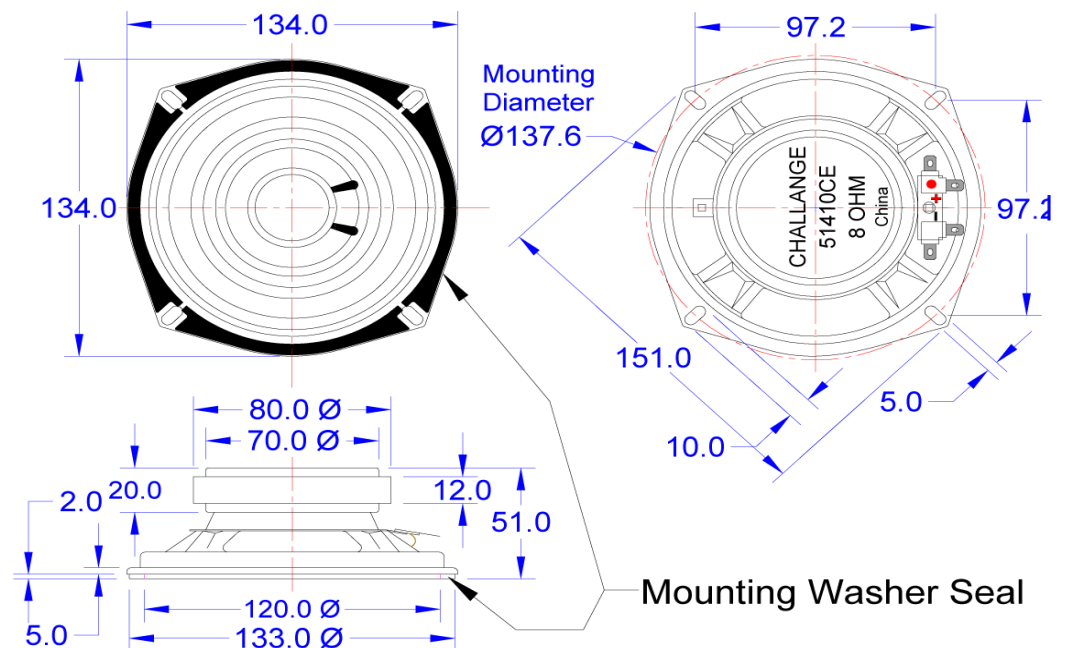
Operating Characteristics

| ELECTRICAL | |
|------------------------|--|
| Rated Power | 8.0 W |
| Short Term Max Power | 15.0 W |
| Impedance | 8 Ω ± 15 % 1000 Hz; 0.125 W |
| ACOUSTIC: Baffle Board | |
| f_0 | 121 Hz ± 20 % 0.125 W |
| Freq. Range | 121 to 18000 Hz |
| Rated SPL | 90.5 ± 3 dB 400, 600, 800, 1000, 1500 Hz; 1.0 W; 100 cm; |
| Distortion | <5 % 1000 Hz; 0.125 W |



Physical Characteristics

| MATERIALS | |
|--------------------|-------------------|
| Housing | Steel |
| Cone | Paper |
| Magnet | NdFeB |
| Solder Tab | Tin Plated Copper |
| TEMPERATURE RANGES | |
| Operating | -20 to +60 °C |
| Storage | -30 to +70 °C |
| Weight | 1200 g |



| Revision | Description | By | Date |
|----------|-----------------------|----|------------|
| 3-2019 | Migrate to new format | WS | 2019-06-21 |

Warranty: For a period of one (1) year from date of shipping under normal operations conditions This warranty does not apply to products damaged through misuse, abuse, improper installation, alteration, rework, or attempt to repair.