

CS134-08D12-51-1

Former P/N: 51410CE

 Rev. 4-2021
 RoHS3 & REACH
 Square Speakers


Operating Characteristics

ELECTRICAL

Rated Power	8.0 W
Short Term Max Power	15.0 W
Impedance	8 Ω ± 15 % 1000 Hz; 0.125 W

ACOUSTIC: Baffle Board

f_0	121 Hz ± 20 % 0.125 W
Freq. Range	96.8 to 18000 Hz
Rated SPL	90.5 ± 3 dB 400, 600, 800, 1000, 1500 Hz; AVG; 1.0 W; 100 cm
Distortion	<5 % 1000 Hz; 0.125 W



Physical Characteristics

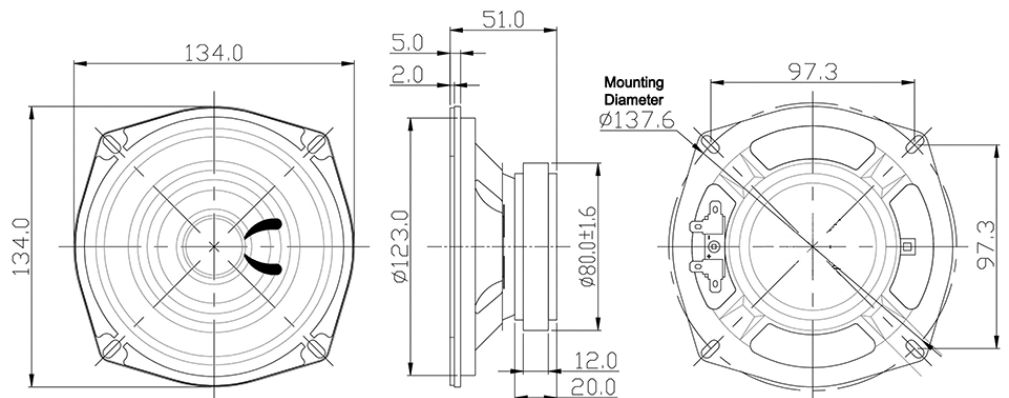
MATERIALS

Housing	Steel
Cone	Paper
Magnet	Ferrite
Solder Tab	Tin Plated Iron

TEMPERATURE RANGES

Operating	-25 to +65 °C
Storage	-30 to +70 °C

Weight	1200 g
--------	--------



Tolerance: ± 0.3 mm unless specified otherwise.

All measurements in mm unless otherwise noted.

Revision	Description	By	Date
3-2019	Migrate to new format	WS	2019-06-21
4-2021	Updated mechanical drawing, frequency response curve, and photo. Updated operating temp. range from -20°C to 60°C to -25°C to 65°C. Corrected magnet material from NdFeB to Ferrite. Updated termination material from Tin Plated Copper to Tin Plated Iron.	CT	2021-10-11

Warranty: For a period of one (1) year from date of shipping under normal operations conditions. This warranty does not apply to products damaged through misuse, abuse, improper installation, alteration, rework, or attempt to repair.

The information contained herein is believed to be correct, but no guarantee or warranty, express or implied, with respect to accuracy, completeness or results is extended and no liability is assumed. Challenge Electronics reserves the right to make changes in any specification, data or material contained herein.