

INDICATORS • SPEAKERS • SOUND TRANSDUCERS • ENCLOSURES • MICROPHONES • BATTERY ACCESSORIES

CS134-15D07-55-1

Former P/N: 5412PX

Rev. 3-2019
RoHS3 & REACH
Square Speakers



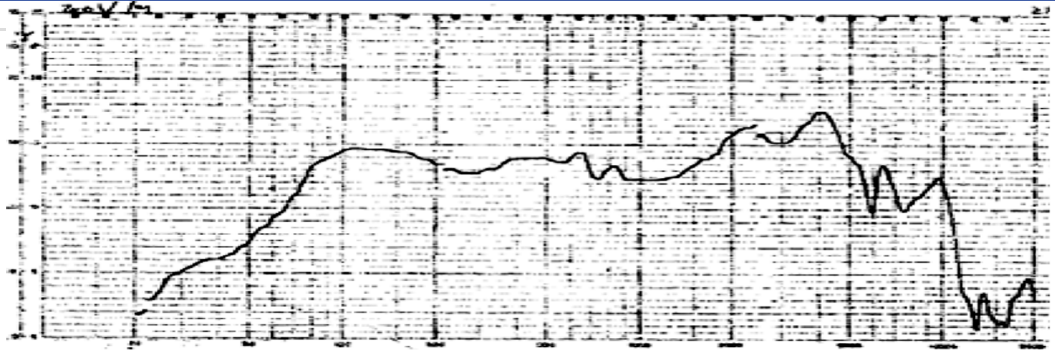
Operating Characteristics

ELECTRICAL

Rated Power	15.0 W
Short Term Max Power	30.0 W
Impedance	4 Ω ± 15 % 1000 Hz; 0.25 W

ACOUSTIC: Baffle Board

f_0	75 Hz ± 20 % 0.25 W
Freq. Range	75 to 10000 Hz
Rated SPL	100 ± 3 dB 800, 1000, 1200, 1500 Hz; 1.0 W; 100 cm;
Distortion	<5 % 1000 Hz; 0.25 W



Physical Characteristics

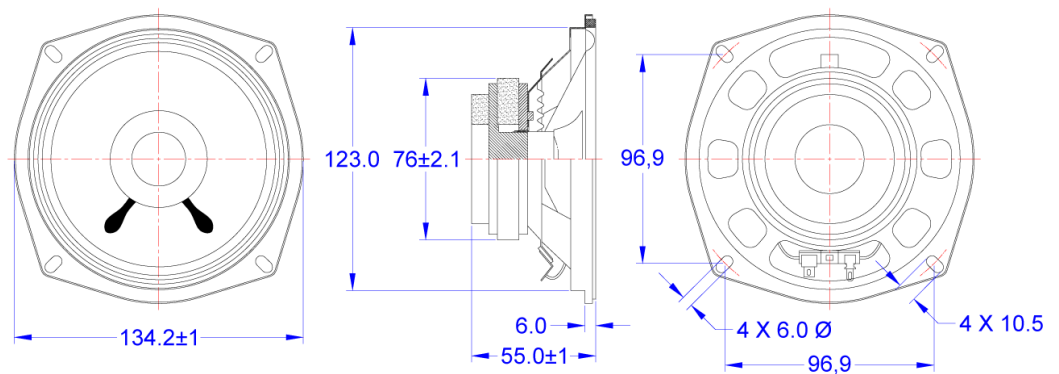
MATERIALS

Housing	Steel
Cone	Paper
Magnet	NdFeB
Solder Tab	Tin Plated Iron

TEMPERATURE RANGES

Operating	-20 to +60 °C
Storage	-30 to +70 °C

Weight 630 g



Revision	Description	By	Date
3-2019	Migrate to new format	WS	2019-06-21

Warranty: For a period of one (1) year from date of shipping under normal operations conditions This warranty does not apply to products damaged through misuse, abuse, improper installation, alteration, rework, or attempt to repair.

The information contained herein is believed to be correct, but no guarantee or warranty, express or implied, with respect to accuracy, completeness or results is extended and no liability is assumed. Challenge Electronics reserves the right to make changes in any specification, data or material contained herein.
©2019 Challenge Electronics, Inc. 20190827113151