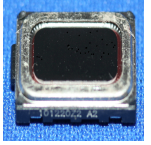


INDICATORS • SPEAKERS • SOUND TRANSDUCERS • ENCLOSURES • MICROPHONES • BATTERY ACCESSORIES

CS14-00R80-02-1

Former P/N: CES136S029AH08PMN800SR

Rev. 2-2019
 RoHS3 & REACH
 Mobile Speakers



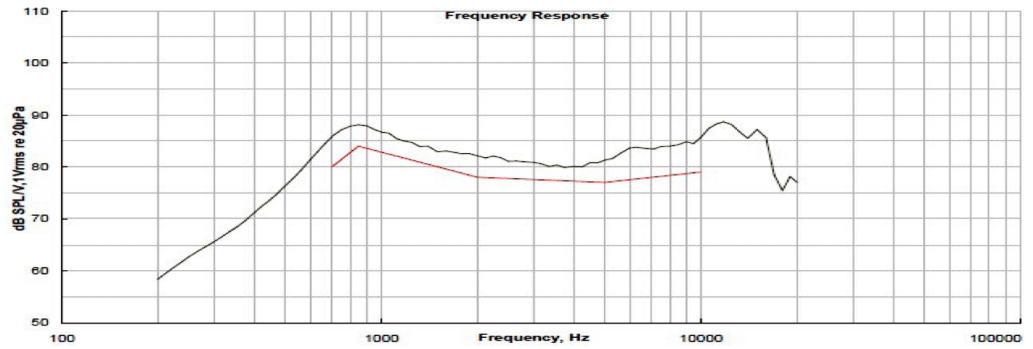
Operating Characteristics

ELECTRICAL

Rated Power	0.3 W
Short Term Max Power	0.8 W
Impedance	8 ± 1.2 Ω 2000 Hz; 0.125 W

ACOUSTIC: Baffle Board

f_0	800 ± 100 Hz 0.125 W
Freq. Range	800 to 10000 Hz
Rated SPL	82 ± 3 dB 2000 Hz; 0.3 W; 10 cm;
Distortion	<5 % 1000 Hz; 0.125 W



Physical Characteristics

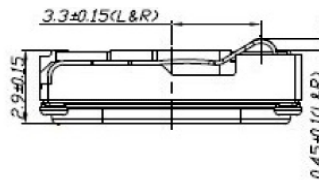
MATERIALS

Housing	Plastic
Cone	Mylar
Magnet	NdFeB
Spring	Stainless Steel

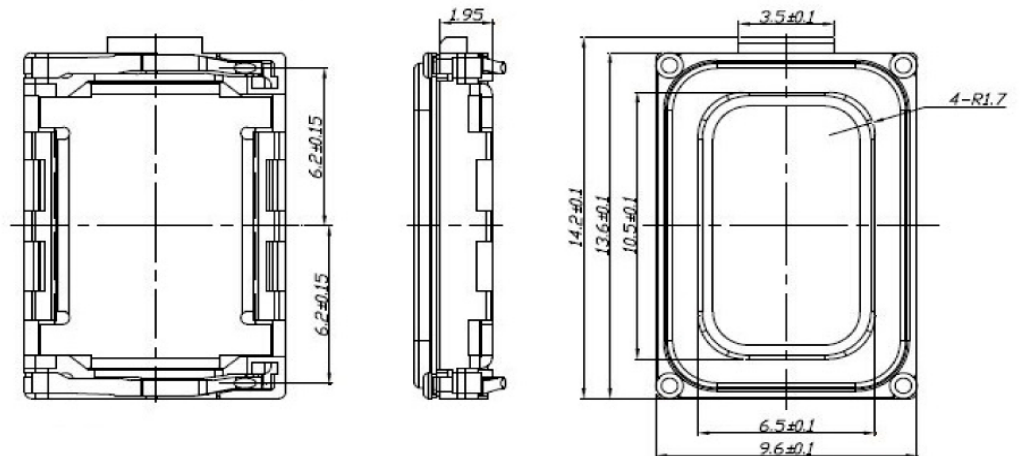
TEMPERATURE RANGES

Operating	-20 to +70 °C
Storage	-40 to +85 °C

Weight 1.2 g



Unit:mm
 Unless otherwise specified: +/-0.15mm
 Spring force inside working area: 0.25-1.2N



Revision	Description	By	Date
1-2014	Revised output from 83 dB at 1 Vrms to 82 dB at 0.3 W	JL	2014-07-28
2-2019	Migrate to new format	CF	2019-06-21

Warranty: For a period of one (1) year from date of shipping under normal operations conditions This warranty does not apply to products damaged through misuse, abuse, improper installation, alteration, rework, or attempt to repair.