

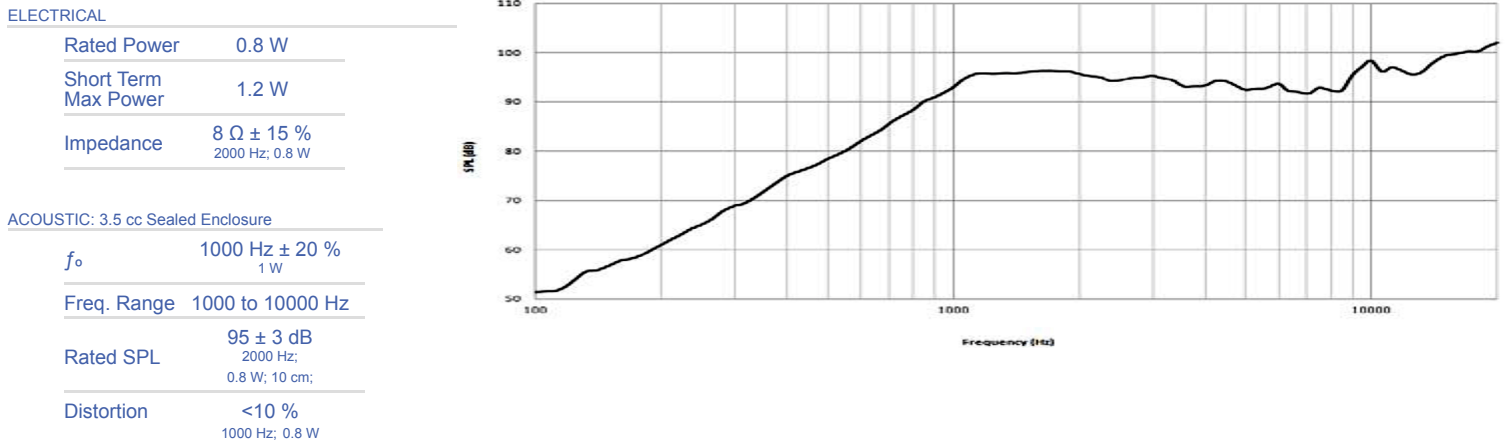
CS15-00P100-03-1

Former P/N: CES150V030BC08PM3N1000UR

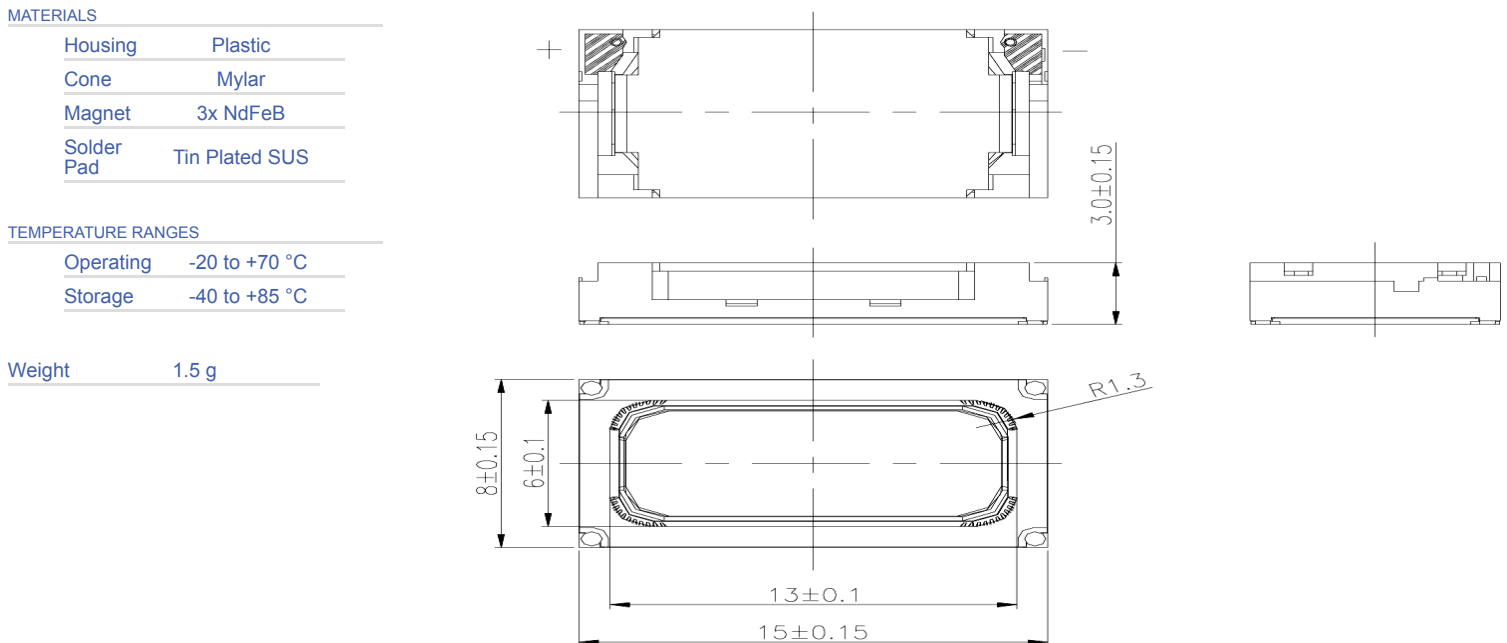
Rev. 2-2020
 RoHS3 & REACH
 Mobile Speakers



Operating Characteristics



Physical Characteristics



Revision	Description	By	Date
1-2019	Migrate to new format	WS	2019-06-21
2-2020	Added magnet quantity to materials section	JL	2020-04-02

Warranty: For a period of one (1) year from date of shipping under normal operations conditions This warranty does not apply to products damaged through misuse, abuse, improper installation, alteration, rework, or attempt to repair.