

CS15-00P60-03-1

Former P/N: CES150V035BA08PMN600URGDF

Rev. 1-2019
RoHS3 & REACH
Mobile Speakers



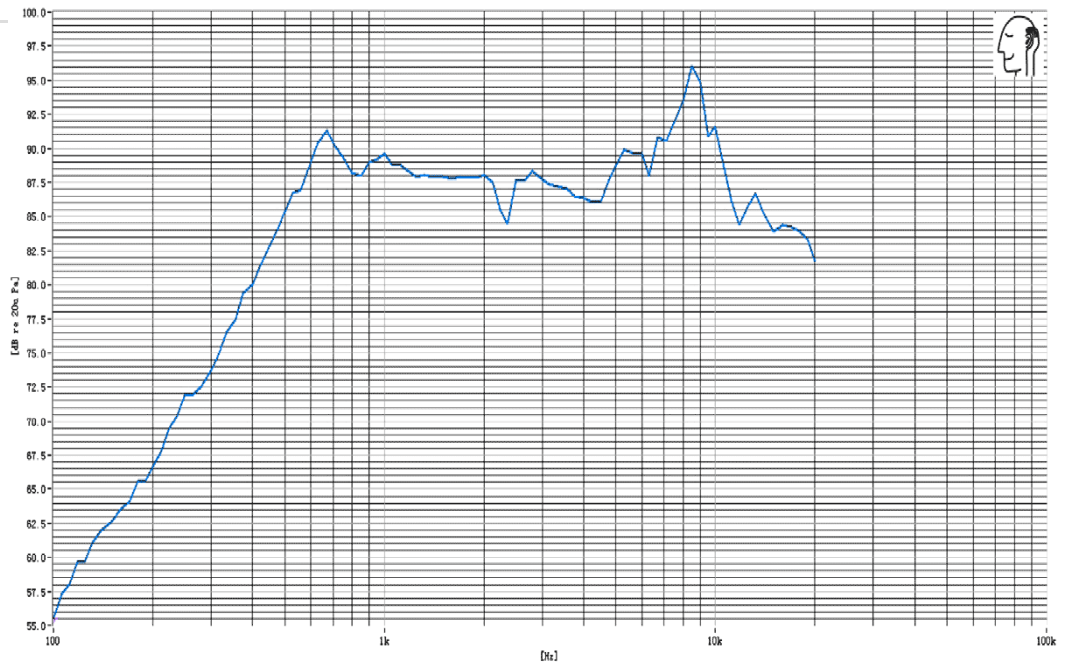
Operating Characteristics: Baffle Board

ELECTRICAL

Rated Power	0.5 W
Short Term Max Power	1.0 W
Impedance	8 Ω ± 15 % 1500 Hz; 0.5 W

ACOUSTIC

f_0	600 Hz ± 20 % 0.5 W
Freq. Range	480 to 20000 Hz
Rated SPL	89 ± 3 dB 800, 1000, 1200, 1500 Hz; AVG; 0.5 W; 10 cm
Distortion	<10 % 1000 Hz; 0.5 W



Physical Characteristics

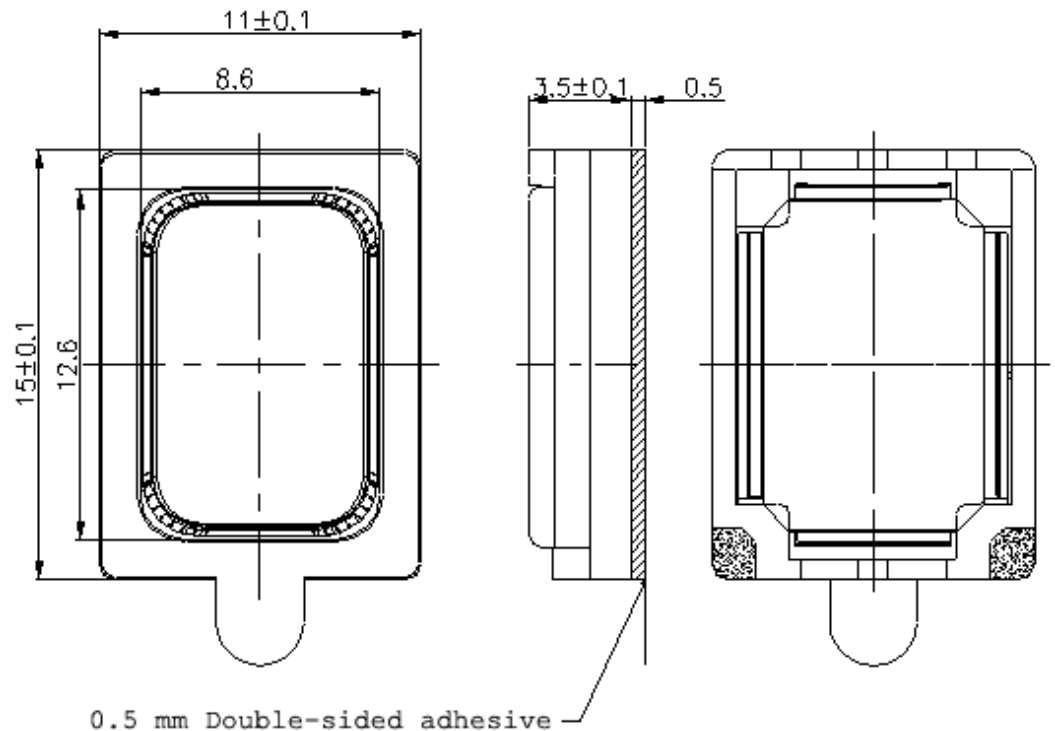
MATERIALS

Housing	Plastic
Cone	Mylar
Magnet	NdFeB
Solder Pad	Tin Plated SUS

TEMPERATURE RANGES

Operating	-30 to +70 °C
Storage	-40 to +80 °C

Weight 1.5 g



All measurements in mm unless otherwise noted.

Revision	Description	By	Date
1-2019	Migrate to new format	JL	2019-06-21

Warranty: For a period of one (1) year from date of shipping under normal operations conditions. This warranty does not apply to products damaged through misuse, abuse, improper installation, alteration, rework, or attempt to repair.

The information contained herein is believed to be correct, but no guarantee or warranty, express or implied, with respect to accuracy, completeness or results is extended and no liability is assumed. Challenge Electronics reserves the right to make changes in any specification, data or material contained herein.

