

INDICATORS • SPEAKERS • SOUND TRANSDUCERS • ENCLOSURES • MICROPHONES • BATTERY ACCESSORIES

CS15-00R40-02-4

Former P/N: CES150V020ZC32PMN400SR

 Rev. 2-2021
 RoHS3 & REACH
 Receiver Speakers

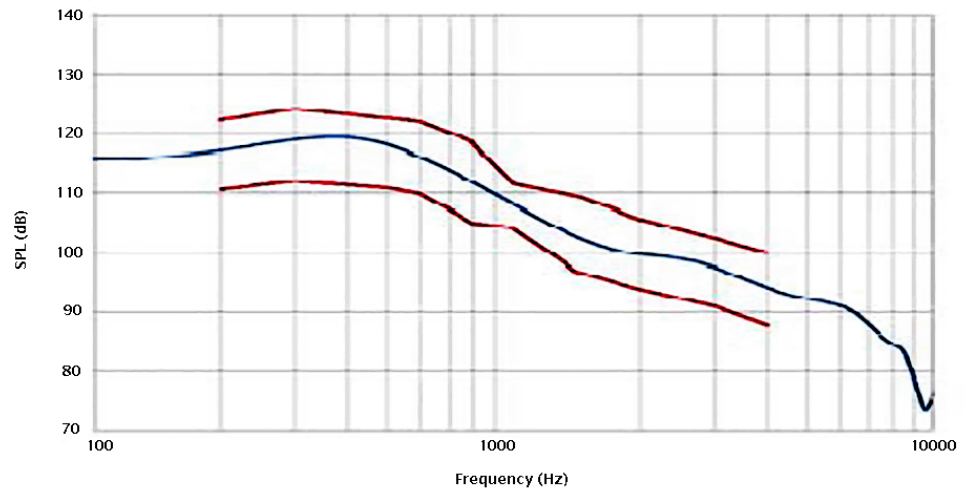

Operating Characteristics

ELECTRICAL

Rated Power	0.02 W
Short Term Max Power	0.03 W
Impedance	32 Ω ± 15 % 1000 Hz; 0.001 W

ACOUSTIC: IEC-318 Artificial Ear

f_0	400 Hz ± 20 % 0.001 W
Freq. Range	400 to 7000 Hz
Rated SPL	108 ± 3 dB 1000-3000 Hz; 0.02 W; 10 cm;
Distortion	8 % 500 - 1000 Hz; 0.001 W



Physical Characteristics

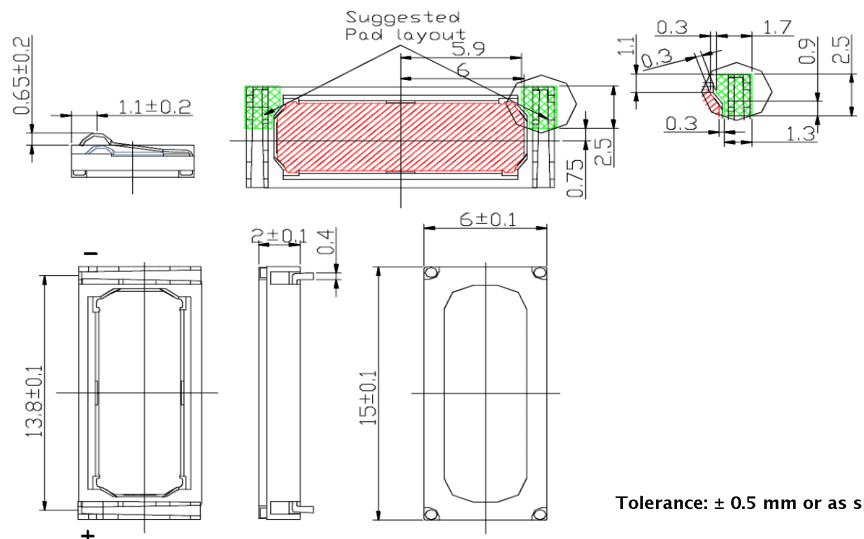
MATERIALS

Housing	Plastic
Cone	Mylar
Magnet	NdFeB
Spring	Stainless Steel, Gold Plated

TEMPERATURE RANGES

Operating	-30 to +70 °C
Storage	-40 to +80 °C

Weight 0.5 g



Tolerance: ± 0.5 mm or as specified

All Measurements are mm unless noted otherwise.

Revision	Description	By	Date
1-2019	Migrate to new format	JL	2019-06-21
2-2021	Updated form factor callout from mobile to receiver.	CT	2021-06-30

Warranty: For a period of one (1) year from date of shipping under normal operations conditions. This warranty does not apply to products damaged through misuse, abuse, improper installation, alteration, rework, or attempt to repair.

 The information contained herein is believed to be correct, but no guarantee or warranty, express or implied, with respect to accuracy, completeness or results is extended and no liability is assumed. Challenge Electronics reserves the right to make changes in any specification, data or material contained herein.
 ©2021 Challenge Electronics, Inc. Pub. 20210715171452