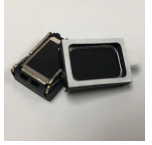


INDICATORS • SPEAKERS • SOUND TRANSDUCERS • ENCLOSURES • MICROPHONES • BATTERY ACCESSORIES

CS15-00R60-03-2

Former P/N: CES150V035BA08PMN600SRG

Rev. 2-2019
RoHS3 & REACH
Mobile Speakers



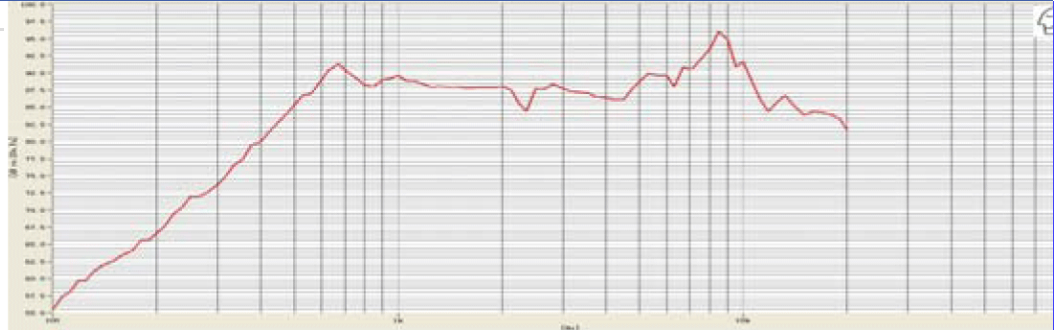
Operating Characteristics

ELECTRICAL

Rated Power	0.7 W
Short Term Max Power	1.0 W
Impedance	8 Ω ± 15 % 1500 Hz; 0.5 W

ACOUSTIC: Baffle Board

f_0	600 Hz ± 20 % 0.5 W
Freq. Range	600 to 20000 Hz
Rated SPL	89 ± 3 dB 800, 1000, 1200, 1500 Hz; 0.1 W; 10 cm;
Distortion	<5 % 1000 Hz; 0.125 W



Physical Characteristics

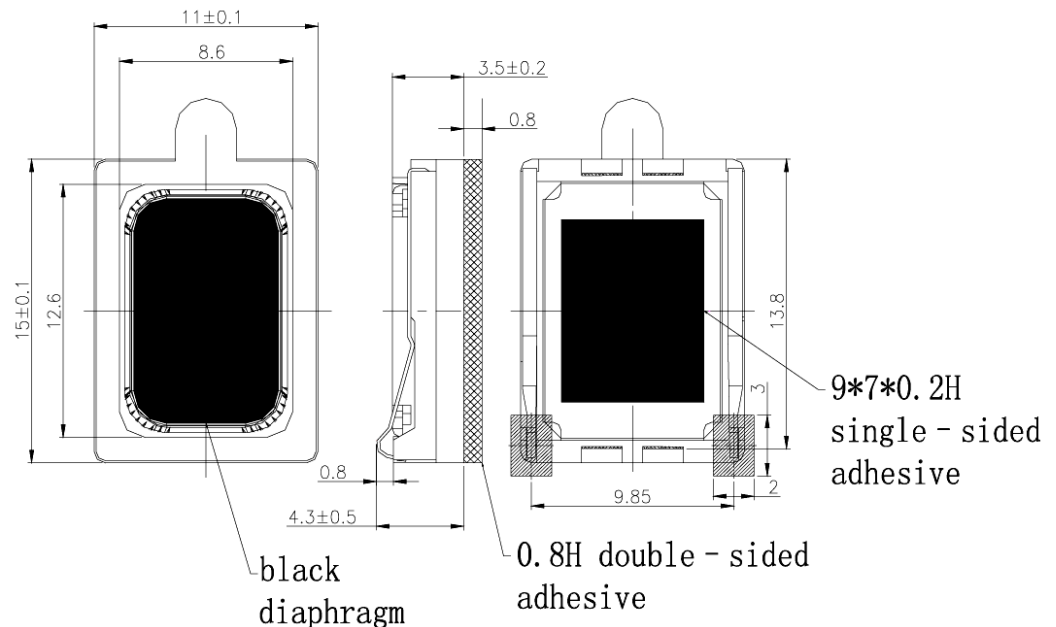
MATERIALS

Housing	Plastic
Cone	PET
Magnet	NdFeB
Spring	Stainless Steel

TEMPERATURE RANGES

Operating	-20 to +70 °C
Storage	-40 to +85 °C

Weight 1.5 g



Revision	Description	By	Date
1-2017	Add Product Photo. Revised Buzz & Rattle. Increased Operating Temp from -20°C to -30°C.	WS	2017-02-08
2-2019	Migrate to new format	JL	2019-06-21

Warranty: For a period of one (1) year from date of shipping under normal operations conditions This warranty does not apply to products damaged through misuse, abuse, improper installation, alteration, rework, or attempt to repair.