

INDICATORS • SPEAKERS • SOUND TRANSDUCERS • ENCLOSURES • MICROPHONES • BATTERY ACCESSORIES

CS15-00R80-03-3

Former P/N: CES150V030BA08PMN800SR

Rev. 1-2019
RoHS3 & REACH
Mobile Speakers



Operating Characteristics

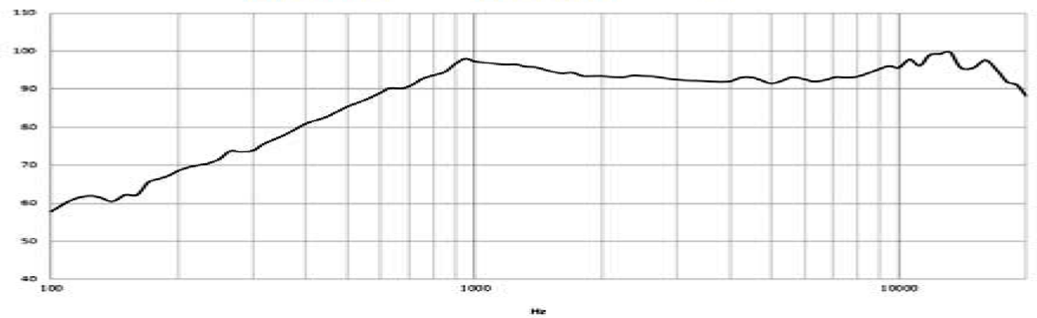
ELECTRICAL

Rated Power	0.7 W
Short Term Max Power	1.0 W
Impedance	8 Ω ± 15 % 2000 Hz; 0.5 W

ACOUSTIC: Baffle Board

f_0	800 Hz ± 20 % 0.5 W
Freq. Range	800 to 20000 Hz
Rated SPL	92 ± 3 dB 800, 1000, 1200, 1500 Hz; 0.5 W; 10 cm;
Distortion	<10 % 1000 Hz; 0.5 W

Test Condition: 2.37v/0.1m in 1cc Box



Physical Characteristics

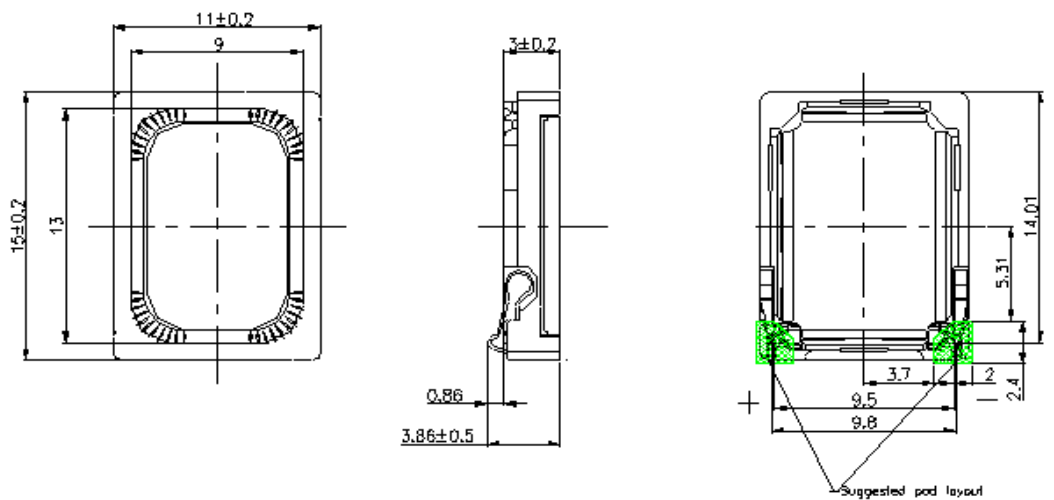
MATERIALS

Housing	Plastic
Cone	Mylar
Magnet	NdFeB
Spring	Stainless Steel

TEMPERATURE RANGES

Operating	-20 to +70 °C
Storage	-40 to +85 °C

Weight 1.5 g



Revision	Description	By	Date
1-2019	Migrate to new format	JL	2019-06-21

Warranty: For a period of one (1) year from date of shipping under normal operations conditions This warranty does not apply to products damaged through misuse, abuse, improper installation, alteration, rework, or attempt to repair.