

INDICATORS • SPEAKERS • SOUND TRANSDUCERS • ENCLOSURES • MICROPHONES • BATTERY ACCESSORIES

## CS15-00R85-02-1

Former P/N: CES150V025BA07PMN850SR

Rev. 1-2019  
RoHS3 & REACH  
Mobile Speakers



### Operating Characteristics

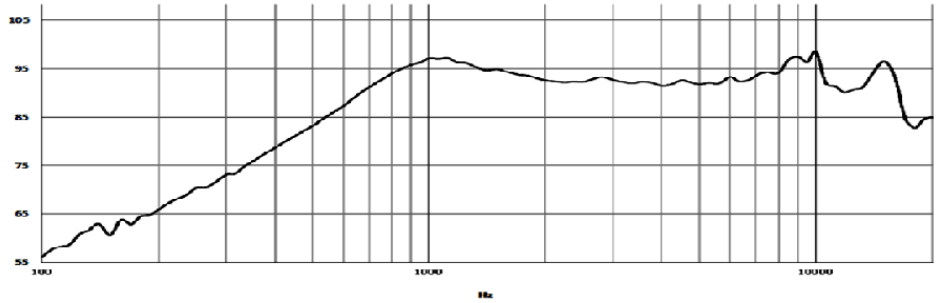
#### ELECTRICAL

|                      |                              |
|----------------------|------------------------------|
| Rated Power          | 0.7 W                        |
| Short Term Max Power | 1.0 W                        |
| Impedance            | 7 Ω ± 15 %<br>2000 Hz; 0.7 W |

#### ACOUSTIC: 1CC Sealed Enclosure

|             |  |
|-------------|--|
| $f_0$       | 850 ± 170 Hz<br>0.7 W                  |
| Freq. Range | 850 to 20000 Hz                        |
| Rated SPL   | 91 ± 3 dB<br>2000 Hz;<br>0.7 W; 10 cm; |
| Distortion  | 10 %<br>1000 Hz; 0.7 W                 |

#### 2. 21Vrms/10cm in 1cc BOX



### Physical Characteristics

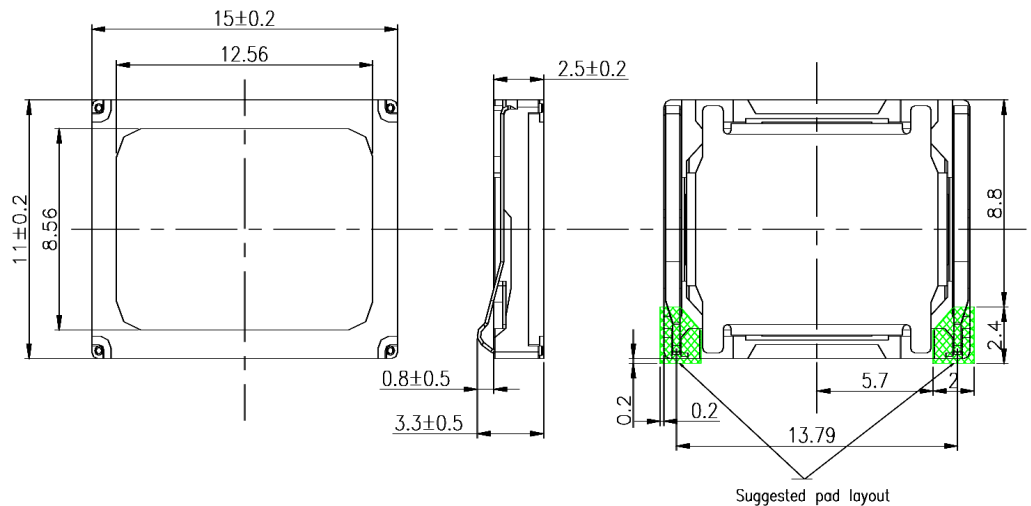
#### MATERIALS

|         |                 |
|---------|-----------------|
| Housing | Plastic         |
| Cone    | PEEK            |
| Magnet  | NdFeB           |
| Spring  | Stainless Steel |

#### TEMPERATURE RANGES

|           |               |
|-----------|---------------|
| Operating | -20 to +70 °C |
| Storage   | -40 to +85 °C |

Weight 1.5 g



| Revision | Description                 | By | Date       |
|----------|-----------------------------|----|------------|
| 0-2017   | Initial Specification Sheet | JL | 2017-10-09 |
| 1-2019   | Migrate to new format.      | CF | 2019-06-24 |

Warranty: For a period of one (1) year from date of shipping under normal operations conditions This warranty does not apply to products damaged through misuse, abuse, improper installation, alteration, rework, or attempt to repair.

The information contained herein is believed to be correct, but no guarantee or warranty, express or implied, with respect to accuracy, completeness or results is extended and no liability is assumed. Challenge Electronics reserves the right to make changes in any specification, data or material contained herein.