

CS15-00R85-02-2

 Rev. 0-2021
 RoHS3 & REACH
 Mobile Speakers

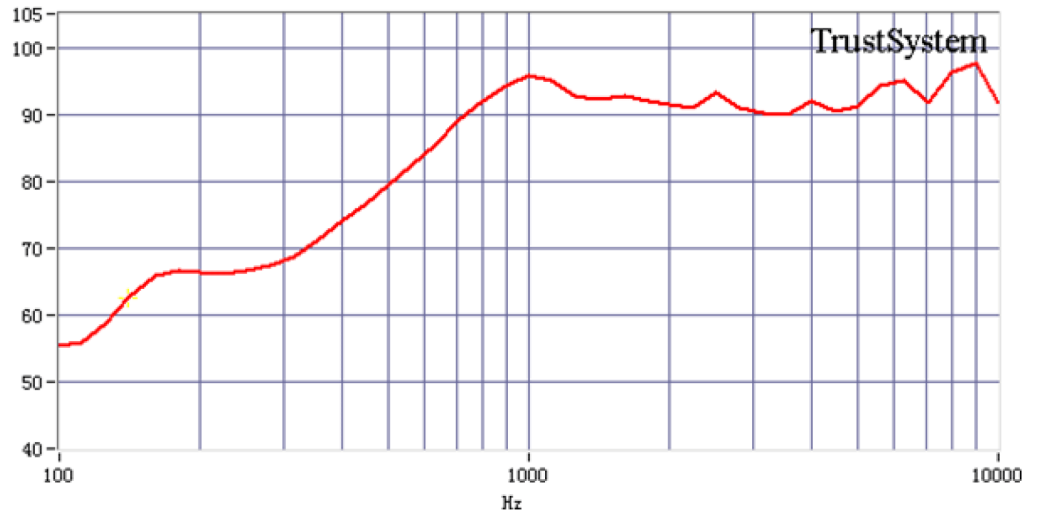

Operating Characteristics

ELECTRICAL

| | |
|----------------------|------------------------------|
| Rated Power | 0.8 W |
| Short Term Max Power | 1.2 W |
| Impedance | 8 Ω ± 20 % 2000 Hz; 0.8 W |

ACOUSTIC: 1CC Sealed Enclosure

| | |
|-------------|--|
| f_0 | 850 Hz ± 20 % 0.8 W |
| Freq. Range | 850 to 20000 Hz |
| Rated SPL | 93 ± 3 dB 2000 Hz; 0.8 W; 10 cm; |
| Distortion | Max 10 % 1000 Hz; 0.8 W |



Physical Characteristics

MATERIALS

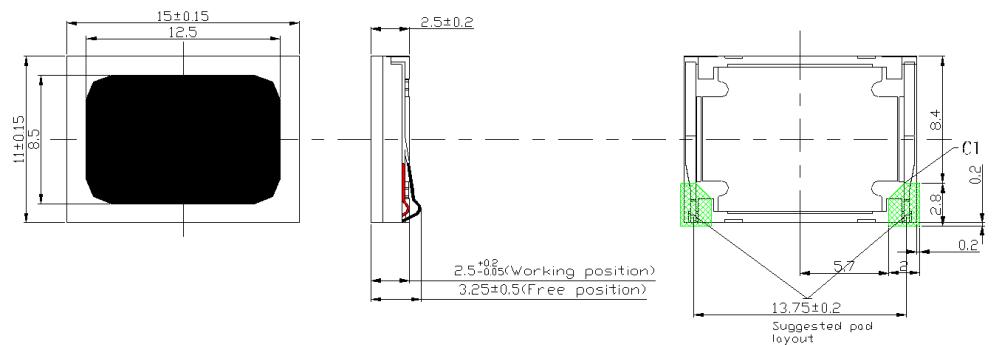
| | |
|---------|-----------------|
| Housing | PBT |
| Cone | PEEK |
| Magnet | 3x NdFeB |
| Springs | Stainless Steel |

TEMPERATURE RANGES

| | |
|-----------|---------------|
| Operating | -20 to +70 °C |
| Storage | -40 to +85 °C |

Weight 1.5 g

Unless otherwise specified, tolerance is ± 0.2 mm



All Measurements are mm unless noted otherwise.

| Revision | Description | By | Date |
|----------|------------------------|----|------------|
| 0-2021 | Original Specification | JL | 2021-01-26 |

Warranty: For a period of one (1) year from date of shipping under normal operations conditions This warranty does not apply to products damaged through misuse, abuse, improper installation, alteration, rework, or attempt to repair.

 The information contained herein is believed to be correct, but no guarantee or warranty, express or implied, with respect to accuracy, completeness or results is extended and no liability is assumed. Challenge Electronics reserves the right to make changes in any specification, data or material contained herein.
 ©2021 Challenge Electronics, Inc. Pub. 20210127101753