

INDICATORS • SPEAKERS • SOUND TRANSDUCERS • ENCLOSURES • MICROPHONES • BATTERY ACCESSORIES

CS15-00R85-03-3

Former P/N: CES150V030BA08PMN550SR

Rev. 1-2019
 RoHS3 & REACH
 Mobile Speakers



Operating Characteristics

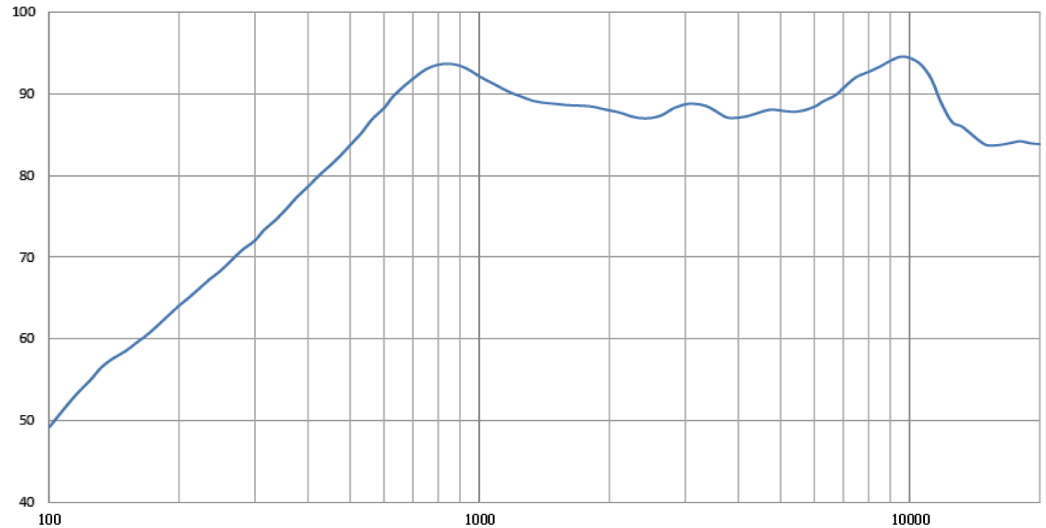
ELECTRICAL

Rated Power	0.7 W
Short Term Max Power	1.0 W
Impedance	8 Ω ± 15 % 2000 Hz; 0.5 W

ACOUSTIC: 1CC Sealed Enclosure

f_0	850 Hz ± 20 % 0.5 W
Freq. Range	850 to 20000 Hz
Rated SPL	91 ± 3 dB 800, 1000, 1500, 2000 Hz; 0.5 W; 10 cm;
Distortion	15 % 800 - 1200 Hz; 0.5 W

2.0V_{rms}/10cm in 1cc BOX



Physical Characteristics

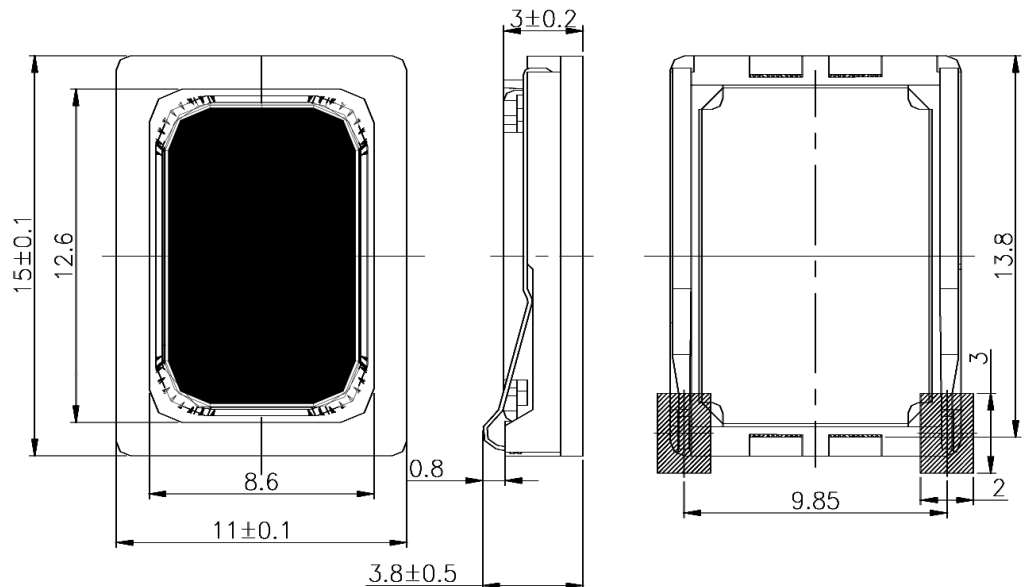
MATERIALS

Housing	Plastic
Cone	Mylar
Magnet	NdFeB
Spring	Stainless Steel

TEMPERATURE RANGES

Operating	-20 to +70 °C
Storage	-40 to +85 °C

Weight 1.5 g



Revision	Description	By	Date
0-2017	Initial Specification Sheet	JL	2017-10-24
1-2019	Migrate to new format	YK	2019-06-21

Warranty: For a period of one (1) year from date of shipping under normal operations conditions This warranty does not apply to products damaged through misuse, abuse, improper installation, alteration, rework, or attempt to repair.

The information contained herein is believed to be correct, but no guarantee or warranty, express or implied, with respect to accuracy, completeness or results is extended and no liability is assumed. Challenge Electronics reserves the right to make changes in any specification, data or material contained herein.

©2019 Challenge Electronics, Inc. 20190826154650