

INDICATORS • SPEAKERS • SOUND TRANSDUCERS • ENCLOSURES • MICROPHONES • BATTERY ACCESSORIES

CS15-00R90-03-2X

Former P/N: CES150V035BA08PMN900SWR

 Rev. 3-2019
 RoHS3 & REACH & IP67
 Mobile Speakers

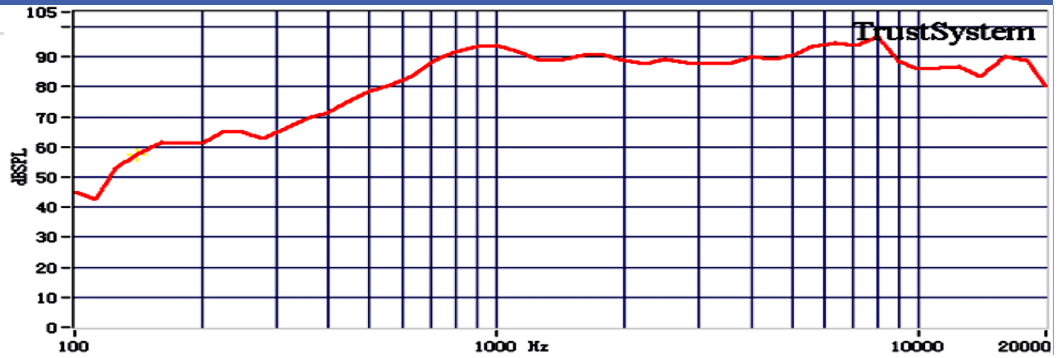

Operating Characteristics

ELECTRICAL

Rated Power	0.7 W
Short Term Max Power	1.0 W
Impedance	8 Ω ± 20 % 1500 Hz; 0.7 W

ACOUSTIC: Baffle Board

f_0	900 Hz ± 20 % 0.7 W
Freq. Range	900 to 20000 Hz
Rated SPL	91 ± 3 dB 800, 1000, 1200, 1500, 2000 Hz; 0.7 W; 10 cm;
Distortion	10 % 2000 Hz; 0.7 W



Physical Characteristics

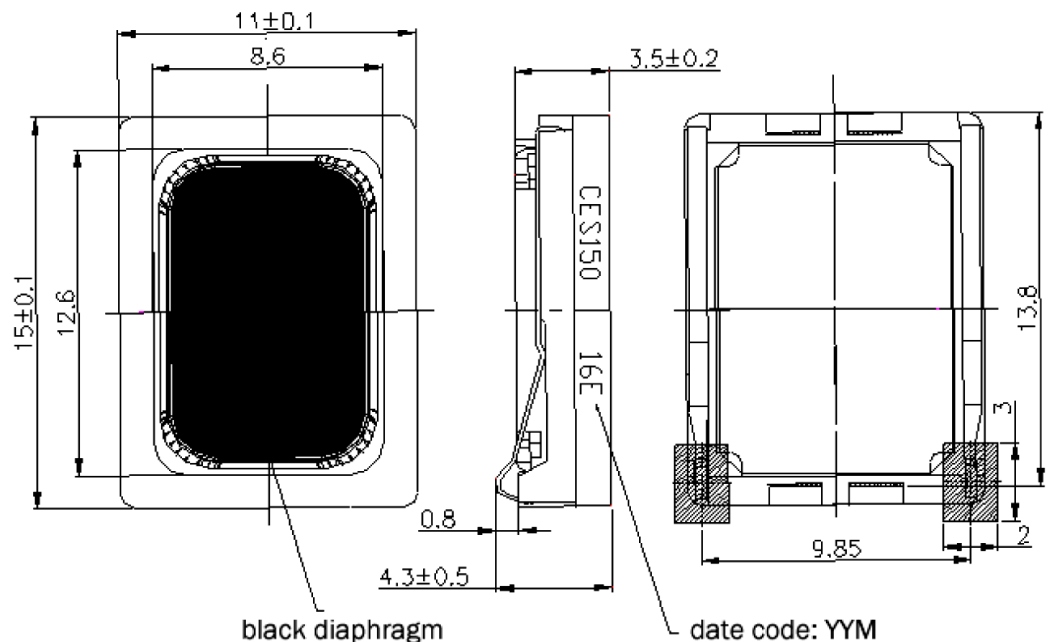
MATERIALS

Housing	Plastic
Cone	PEN
Magnet	NdFeB
Spring	Stainless Steel

TEMPERATURE RANGES

Operating	-30 to +80 °C
Storage	-40 to +85 °C

Weight 1.5 g



Revision	Description	By	Date
2-2017	Added Distortion Rating and Curve	WS	2017-02-06
3-2019	Migrate to new format	CF	2019-06-24

Warranty: For a period of one (1) year from date of shipping under normal operations conditions This warranty does not apply to products damaged through misuse, abuse, improper installation, alteration, rework, or attempt to repair.

The information contained herein is believed to be correct, but no guarantee or warranty, express or implied, with respect to accuracy, completeness or results is extended and no liability is assumed. Challenge Electronics reserves the right to make changes in any specification, data or material contained herein.

©2019 Challenge Electronics, Inc. 20190826154730