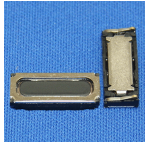


CS15-00R95-02-1X

 Rev. 1-2023
 RoHS3 & REACH
 IPX8
 Mobile Speakers


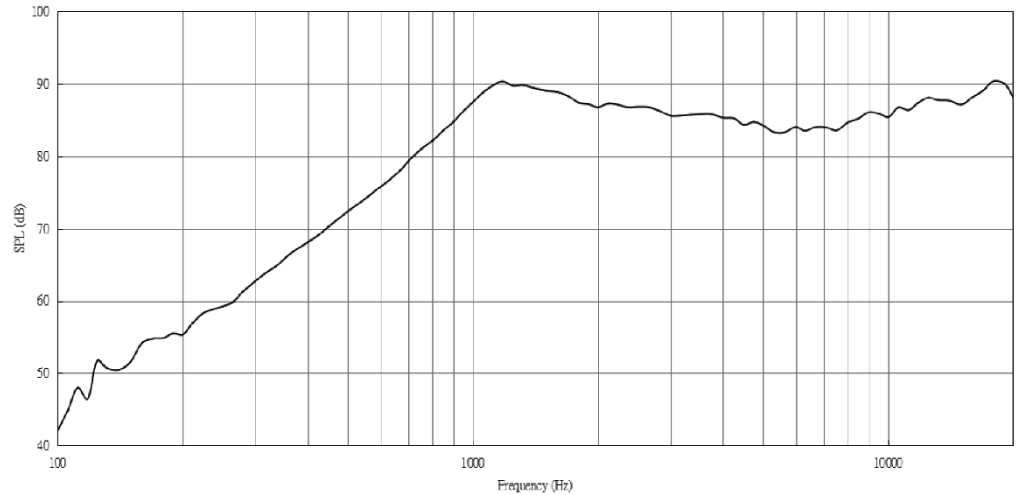
Operating Characteristics: 1.5cc Sealed Enclosure

ELECTRICAL

Rated Power	0.5 W
Short Term Max Power	0.7 W
Impedance	8 Ω ± 15 % 2000 Hz; 0.5 W

ACOUSTIC

f_0	950 Hz ± 20 %
Freq. Range	950 to 20,000 Hz
Rated SPL	87 ± 3 dB AVG; 0.5 W; 10 cm;
Distortion	Max 10 % 2000 Hz; 0.5 W



Physical Characteristics

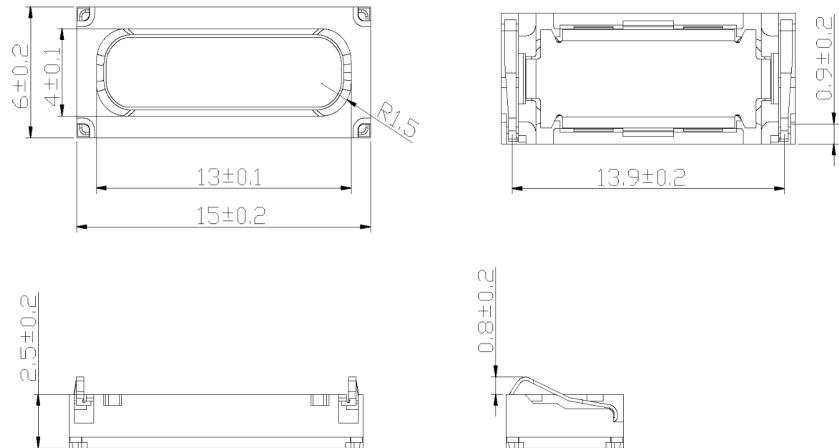
MATERIALS

Housing	PPA
Cone	PEEK
Magnet	3x NdFeB
Spring	Stainless Steel

TEMPERATURE RANGES

Operating	-20 to +70 °C
Storage	-40 to +85 °C

Weight 0.5 g



General tolerance = ±0.2 mm and all measurements in mm unless otherwise noted.

Revision	Description	By	Date
0-2023	Original Specification	AL	2023-01-31
1-2023	Added part image.	SK	2023-05-10

Warranty: For a period of one (1) year from date of shipping under normal operations conditions. This warranty does not apply to products damaged through misuse, abuse, improper installation, alteration, rework, or attempt to repair.

The information contained herein is believed to be correct, but no guarantee or warranty, express or implied, with respect to accuracy, completeness or results is extended and no liability is assumed. Challenge Electronics reserves the right to make changes in any specification, data or material contained herein.