

INDICATORS • SPEAKERS • SOUND TRANSDUCERS • ENCLOSURES • MICROPHONES • BATTERY ACCESSORIES

## CS15-00S85-04-1

Former P/N: CES151504S08M800MR

Rev. 6-2019  
RoHS3 & REACH  
Square Speakers



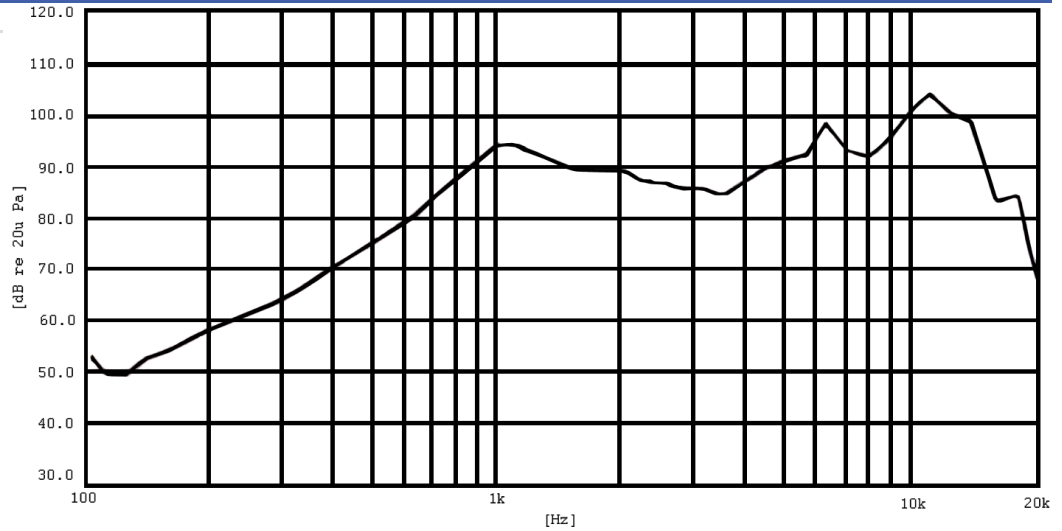
### Operating Characteristics

#### ELECTRICAL

Rated Power	0.5 W
Short Term Max Power	0.8 W
Impedance	8 Ω ± 15 % 2000 Hz; 0.125 W

#### ACOUSTIC: Baffle Board

$f_0$	850 Hz ± 20 % 0.125 W
Freq. Range	850 to 20000 Hz
Rated SPL	87 ± 3 dB 1000, 1600, 2000, 3200 Hz; 0.5 W; 10 cm;
Distortion	< 5 % 2000 Hz; 0.1 W



### Physical Characteristics

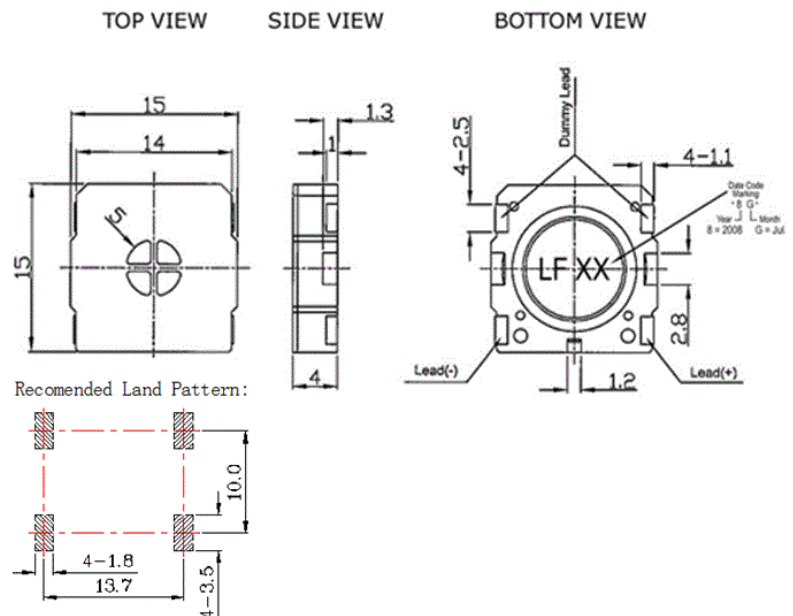
#### MATERIALS

Housing	Plastic
Cone	PI
Magnet	NdFeB
Solder Pad	Tin Plated Copper

#### TEMPERATURE RANGES

Operating	-35 to +85 °C
Storage	-40 to +85 °C

Weight 1.5 g



Revision	Description	By	Date
5-2019	Updated frequency response curve.	JL	2019-03-28
6-2019	Migrate to new format.	CF	2019-06-24

Warranty: For a period of one (1) year from date of shipping under normal operations conditions This warranty does not apply to products damaged through misuse, abuse, improper installation, alteration, rework, or attempt to repair.