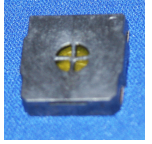


CS15-00S85-04-1

Former P/N: CES151504S08M800MR / CES15150408MR

Rev. 7-2024
RoHS3 & REACH
Surface Mount Speakers



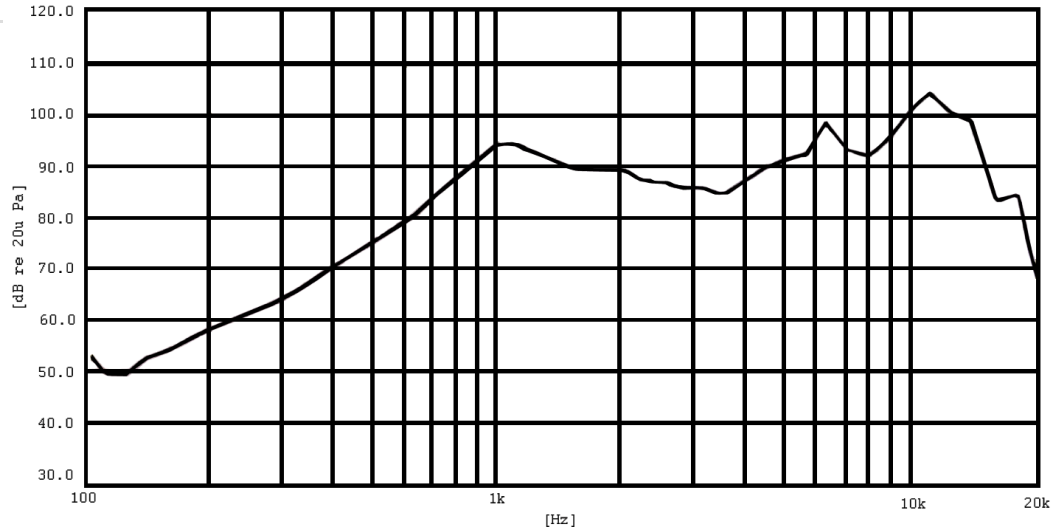
Operating Characteristics

ELECTRICAL

Rated Power	0.5 W
Short Term Max Power	0.8 W
Impedance	8 Ω ± 15 % 2000 Hz; 0.125 W

ACOUSTIC: Baffle Board

f_0	850 Hz ± 20 % 0.125 W
Freq. Range	680 to 20000 Hz
Rated SPL	87 ± 3 dB 1000, 1600, 2000, 3200 Hz; AVG; 0.5 W; 10 cm
Distortion	<5 % 2000 Hz; 0.1 W



Physical Characteristics

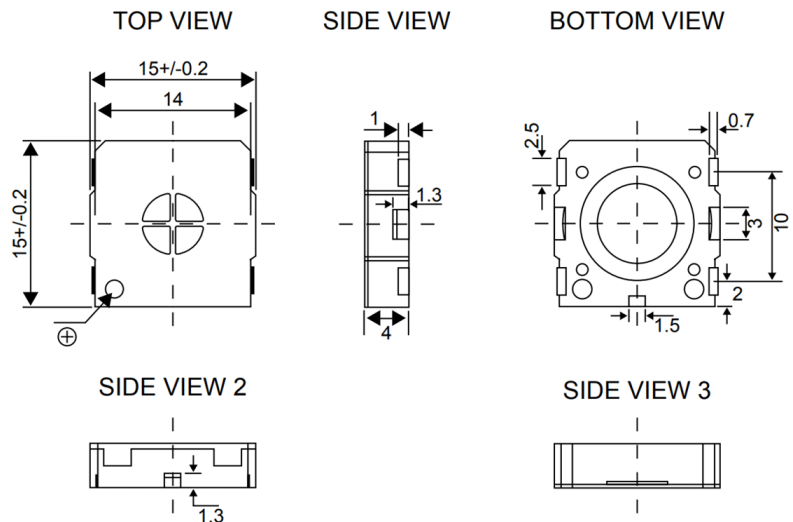
MATERIALS

Housing	Plastic
Cone	PI
Magnet	NdFeB
Solder Pad	Tin Plated Copper

TEMPERATURE RANGES

Operating	-35 to +85 °C
Storage	-40 to +85 °C

Weight 1.5 g



General tolerance = ±0.5 mm and all measurements in mm unless otherwise noted.

Revision	Description	By	Date
6-2019	Migrate to new format.	CF	2019-06-24
7-2024	Updated Former P/N from CES151504S08M800MR to CES151504S08M800MR / CES15150408MR, frequency range, and mechanical drawing. Added reflow profile, footprint, and packaging images.	SK	2024-02-21

Warranty: For a period of one (1) year from date of shipping under normal operations conditions. This warranty does not apply to products damaged through misuse, abuse, improper installation, alteration, rework, or attempt to repair.

The information contained herein is believed to be correct, but no guarantee or warranty, express or implied, with respect to accuracy, completeness or results is extended and no liability is assumed. Challenge Electronics reserves the right to make changes in any specification, data or material contained herein.

CS15-00S85-04-1

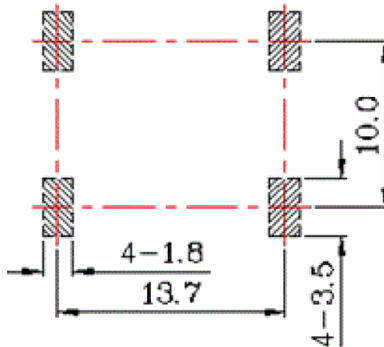
Former P/N: CES151504S08M800MR / CES15150408MR

Rev. 7-2024
RoHS3 & REACH
Surface Mount Speakers

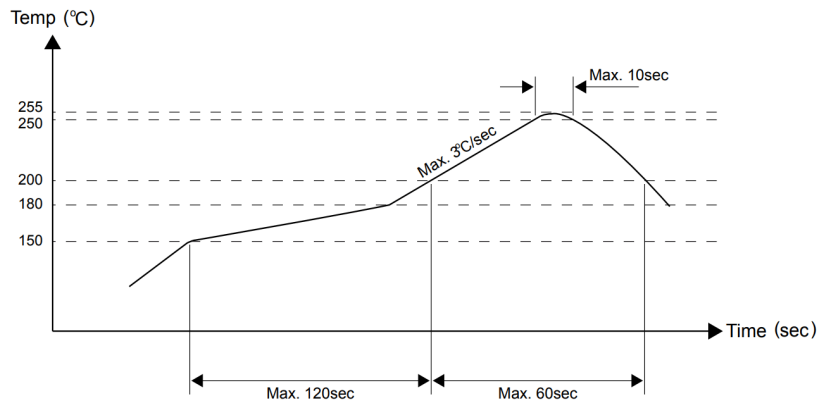


Recommended Footprint

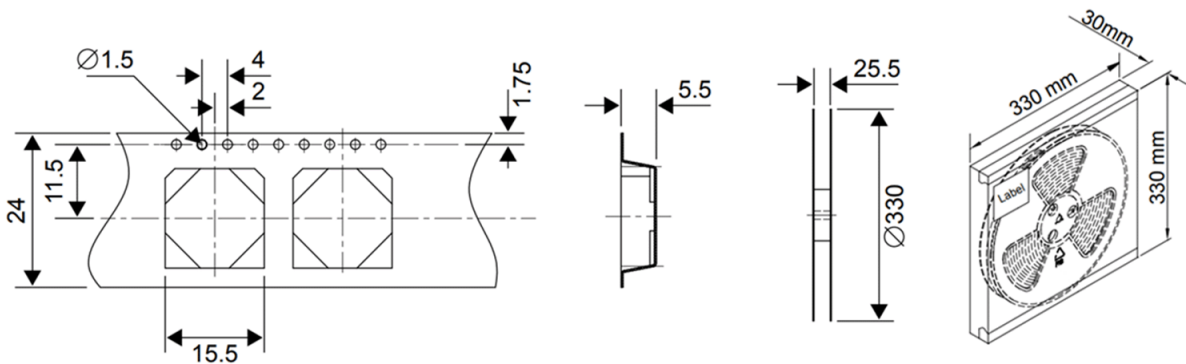
Recommended Land Pattern:



Recommended Reflow Profile



Tape & Reel Packaging



500 pcs per reel, 6 reels per carton, 3000 pcs total.

Revision	Description	By	Date
6-2019	Migrate to new format.	CF	2019-06-24
7-2024	Updated Former P/N from CES151504S08M800MR to CES151504S08M800MR / CES15150408MR, frequency range, and mechanical drawing. Added reflow profile, footprint, and packaging images.	SK	2024-02-21

Warranty: For a period of one (1) year from date of shipping under normal operations conditions. This warranty does not apply to products damaged through misuse, abuse, improper installation, alteration, rework, or attempt to repair.

The information contained herein is believed to be correct, but no guarantee or warranty, express or implied, with respect to accuracy, completeness or results is extended and no liability is assumed. Challenge Electronics reserves the right to make changes in any specification, data or material contained herein.