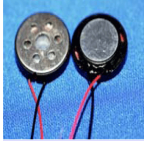


INDICATORS • SPEAKERS • SOUND TRANSDUCERS • ENCLOSURES • MICROPHONES • BATTERY ACCESSORIES

## CS15-00W110-03-1

Former P/N: CES150R035AH8PMN1100W153R

Rev. 2-2019  
RoHS3 & REACH  
Round Speakers



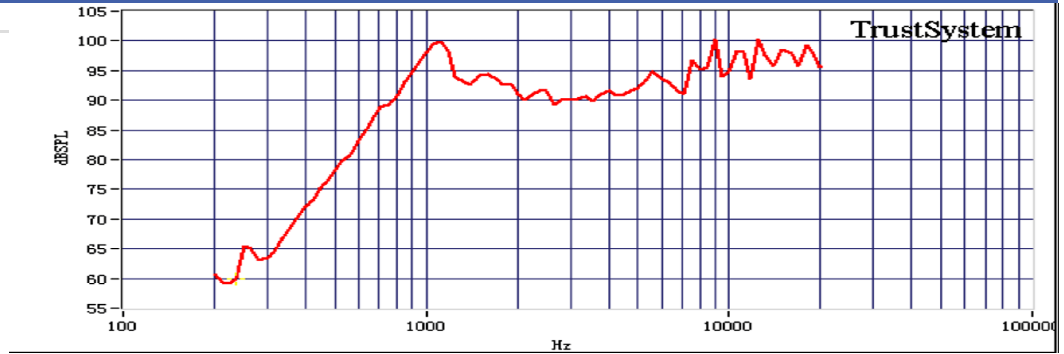
### Operating Characteristics

#### ELECTRICAL

Rated Power	0.5 W
Short Term Max Power	0.8 W
Impedance	8 Ω ± 15 % 2000 Hz; 0.125 W

#### ACOUSTIC: Baffle Board

$f_0$	1100 Hz ± 20 % 0.125 W
Freq. Range	1100 to 20000 Hz
Rated SPL	95 ± 3 dB 1000, 1200, 1500, 2000 Hz; 0.5 W; 10 cm;
Distortion	<10 % 1000 Hz; 0.1 W



### Physical Characteristics

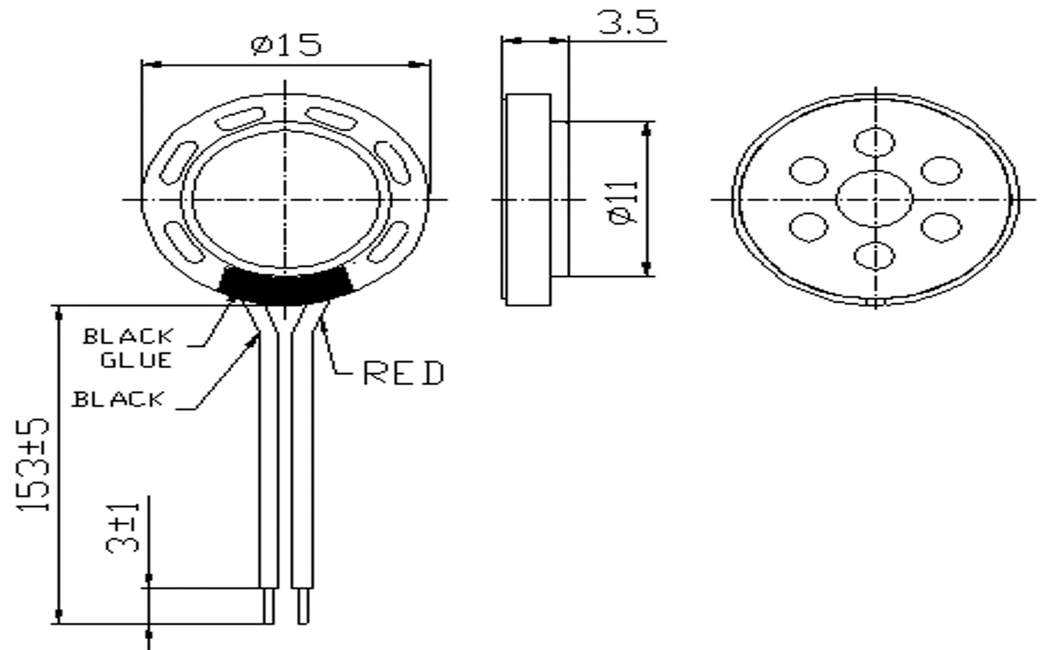
#### MATERIALS

Housing	Plastic
Cone	Mylar
Magnet	NdFeB
Wire	UL 1571, 30 AWG

#### TEMPERATURE RANGES

Operating	-20 to +60 °C
Storage	-30 to +60 °C

Weight 1.3 g



Revision	Description	By	Date
1-2015	Moved a comma (in the frequency response) from 2,0000 to 20,000	WS	2015-08-03
2-2019	Migrate to new format	WS	2019-06-21

Warranty: For a period of one (1) year from date of shipping under normal operations conditions This warranty does not apply to products damaged through misuse, abuse, improper installation, alteration, rework, or attempt to repair.