

CS15-01P280-02-1

 Rev. 0-2023
 RoHS3 & REACH
 Mobile Speakers

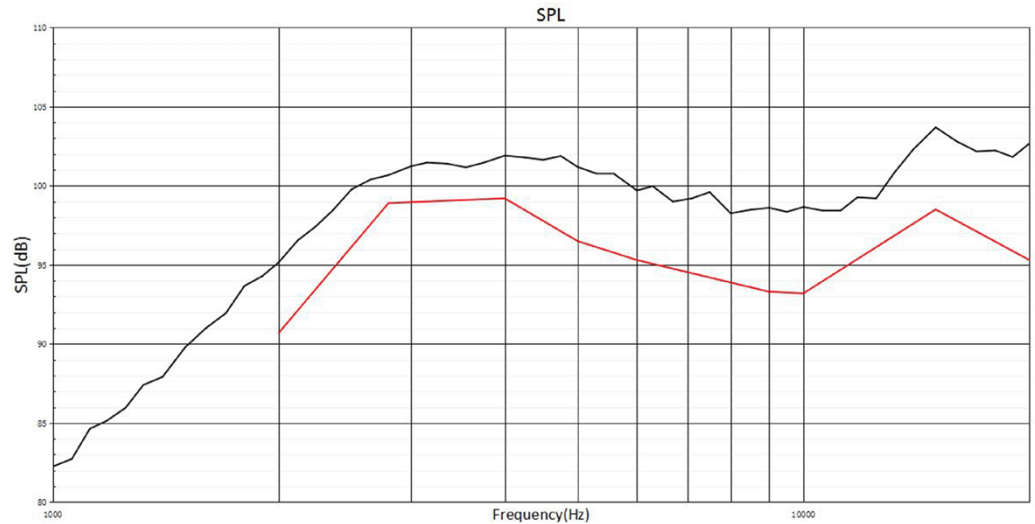

Operating Characteristics: 0.12cc Sealed Enclosure

ELECTRICAL

Rated Power	1 W
Short Term Max Power	1.2 W
Impedance	10.2 Ω \pm 15 % 2000 Hz; 0.1 W

ACOUSTIC

f_o	2800 Hz \pm 15 % 0.1 W
Freq. Range	200 to 20000 Hz
Rated SPL	85 \pm 3 dB 2000 Hz; AVG; 0.1 W; 5 cm
Distortion	See Page 2



Physical Characteristics

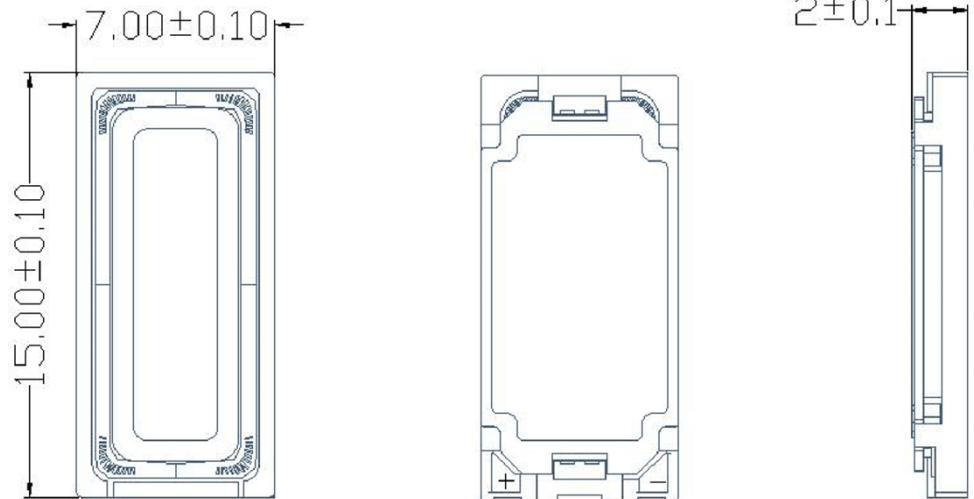
MATERIALS

Housing	PPA
Cone	PEEK
Magnet	NdFeB
Solder Pads	Tin Plated Stainless Steel

TEMPERATURE RANGES

Operating	-20 to +65 °C
Storage	-20 to +85 °C

Weight 0.81 g


 General tolerance = \pm 0.2 mm and all measurements in mm unless otherwise noted.

Revision	Description	By	Date
0-2023	Original Specification.	SK	2023-11-15

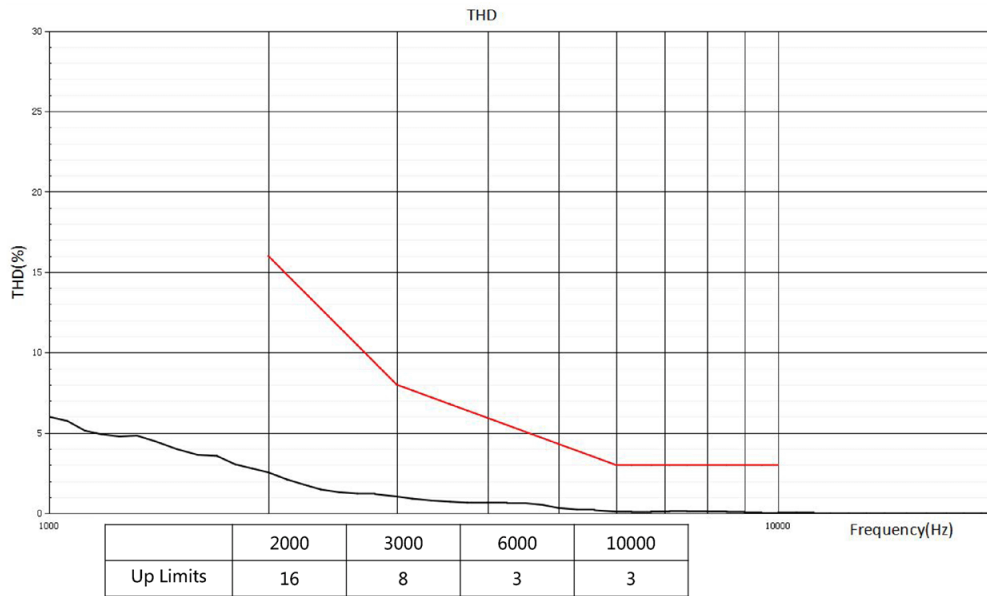
Warranty: For a period of one (1) year from date of shipping under normal operations conditions. This warranty does not apply to products damaged through misuse, abuse, improper installation, alteration, rework, or attempt to repair.

The information contained herein is believed to be correct, but no guarantee or warranty, express or implied, with respect to accuracy, completeness or results is extended and no liability is assumed. Challenge Electronics reserves the right to make changes in any specification, data or material contained herein.

CS15-01P280-02-1

 Rev. 0-2023
 RoHS3 & REACH
 Mobile Speakers


Distortion (THD)*



Revision	Description	By	Date
0-2023	Original Specification.	SK	2023-11-15

Warranty: For a period of one (1) year from date of shipping under normal operations conditions. This warranty does not apply to products damaged through misuse, abuse, improper installation, alteration, rework, or attempt to repair.

The information contained herein is believed to be correct, but no guarantee or warranty, express or implied, with respect to accuracy, completeness or results is extended and no liability is assumed. Challenge Electronics reserves the right to make changes in any specification, data or material contained herein.