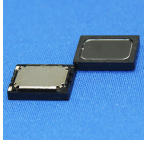


## CS15-01P85-03-2

Former P/N: CS15P-0185-032

 Rev. 2-2023  
 RoHS3 & REACH  
 Mobile Speakers


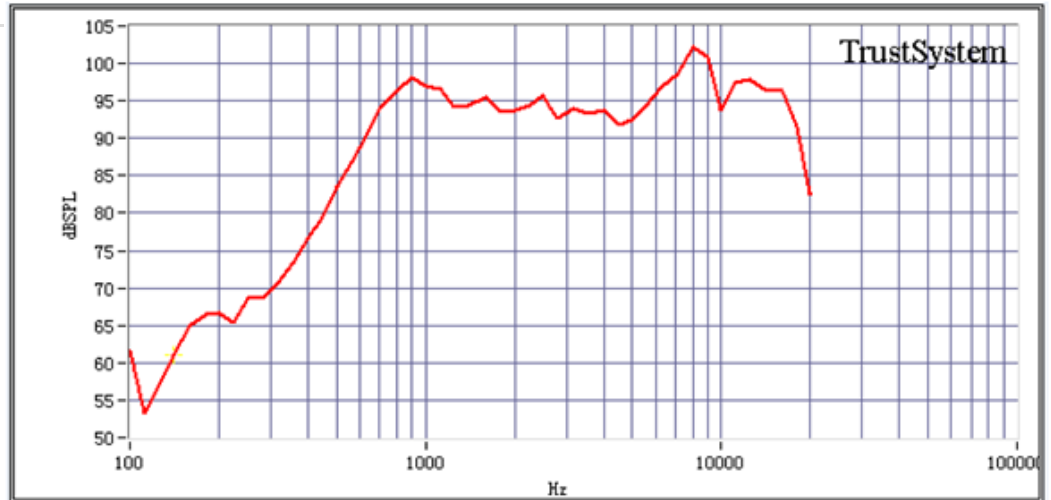
### Operating Characteristics: 1CC Sealed Enclosure

#### ELECTRICAL

Rated Power	1.0 W
Short Term Max Power	1.2 W
Impedance	6 Ω ± 15 % 2000 Hz; 1 W

#### ACOUSTIC

$f_o$	850 Hz ± 20 % 1 W
Freq. Range	850 to 20000 Hz
Rated SPL	94 ± 3 dB 2000 Hz; AVG; 1 W; 10 cm;
Distortion	<10 % 1000 Hz; 1 W



### Physical Characteristics

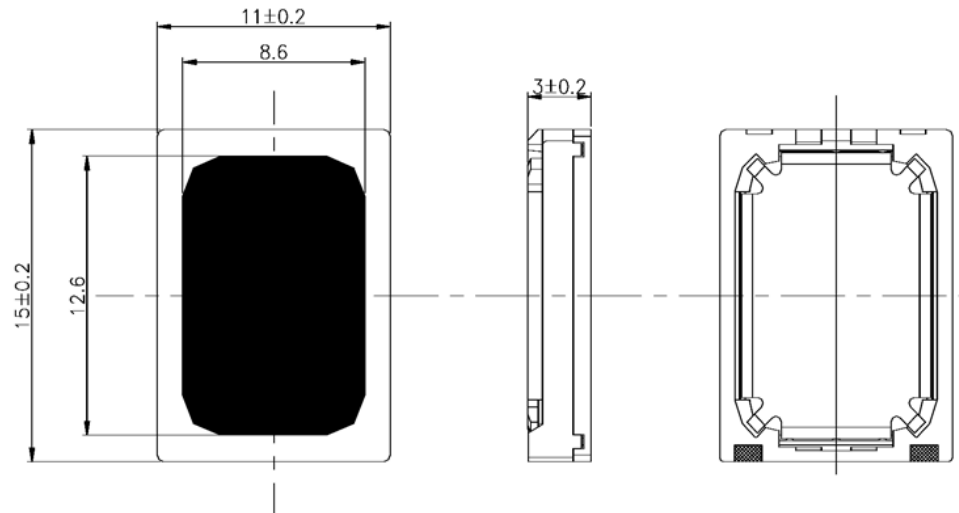
#### MATERIALS

Housing	PPA
Cone	PEEK
Magnet	NdFeB
Solder Pad	Stainless Steel, Tin Plated

#### TEMPERATURE RANGES

Operating	-20 to +70 °C
Storage	-40 to +85 °C

Weight 1.5 g


**Tolerance: ±0.2**

All measurements in mm unless otherwise noted.

Revision	Description	By	Date
1-2019	Migrate to new format	JL	2019-09-09
2-2023	Added part image.	SK	2023-05-10

Warranty: For a period of one (1) year from date of shipping under normal operations conditions. This warranty does not apply to products damaged through misuse, abuse, improper installation, alteration, rework, or attempt to repair.

The information contained herein is believed to be correct, but no guarantee or warranty, express or implied, with respect to accuracy, completeness or results is extended and no liability is assumed. Challenge Electronics reserves the right to make changes in any specification, data or material contained herein.