

# CS15-01P95-03-1

 Rev. 1-2019  
 RoHS3 & REACH  
 Mobile Speakers

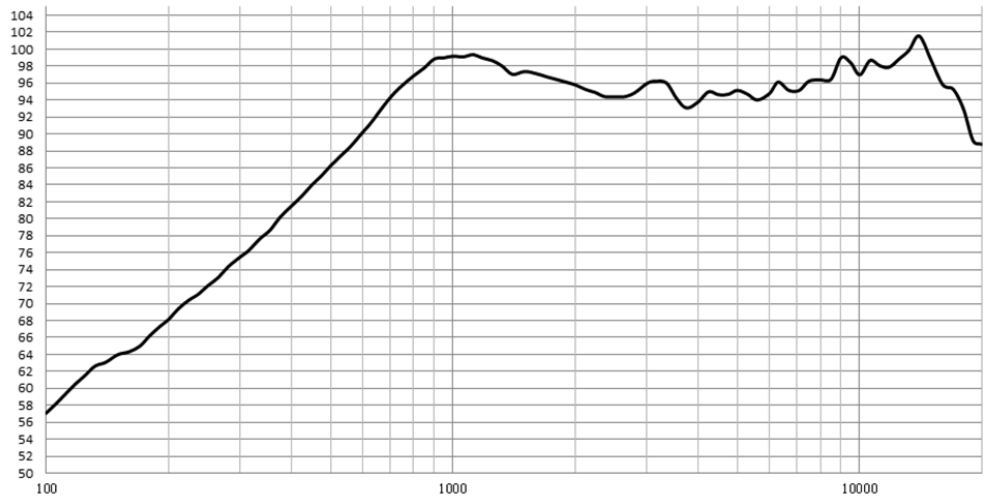

## Operating Characteristics

### ELECTRICAL

Rated Power	1.0 W
Short Term Max Power	1.3 W
Impedance	8 Ω ± 15 % 2000 Hz; 1.0 W

### ACOUSTIC: 1cc Sealed Enclosure

$f_0$	950 Hz ± 20 % 1.0 W
Freq. Range	950 to 20000 Hz
Rated SPL	97 ± 3 dB 800, 1000, 1500, 2000 Hz; 1.0 W; 10 cm;
Distortion	<10 % 2000 Hz; 1.0 W



## Physical Characteristics

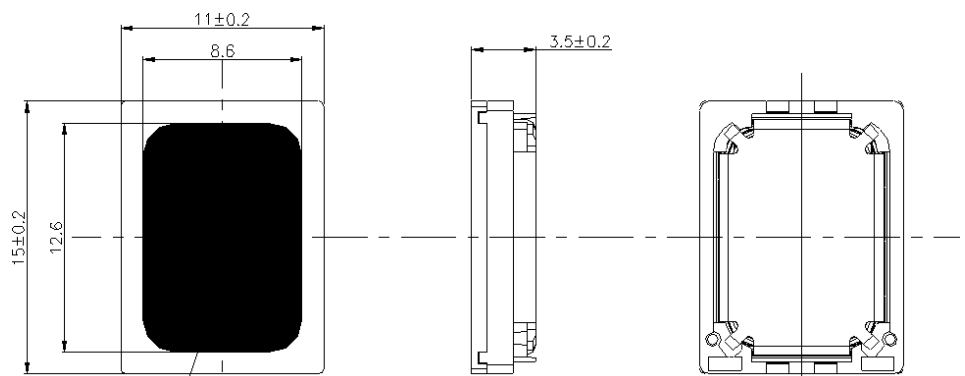
### MATERIALS

Housing	PPA
Cone	PEEK
Magnet	NdFeB
Contact	Tin-plated Stainless Steel

### TEMPERATURE RANGES

Operating	-20 to +70 °C
Storage	-40 to +85 °C

Weight 1.5 g



Black diaphragm

Revision	Description	By	Date
0-2019	Initial Specification Sheet	WS	2019-09-06
1-2019	Updated Rated SPL from 95 dB to 97 dB.	JL	2019-09-10

Warranty: For a period of one (1) year from date of shipping under normal operations conditions This warranty does not apply to products damaged through misuse, abuse, improper installation, alteration, rework, or attempt to repair.

The information contained herein is believed to be correct, but no guarantee or warranty, express or implied, with respect to accuracy, completeness or results is extended and no liability is assumed. Challenge Electronics reserves the right to make changes in any specification, data or material contained herein.