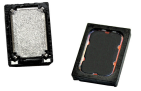


CS15-01P95-03-1X

Rev. 2-2024
RoHS3 & REACH
IP67 Front Face
Mobile Speakers



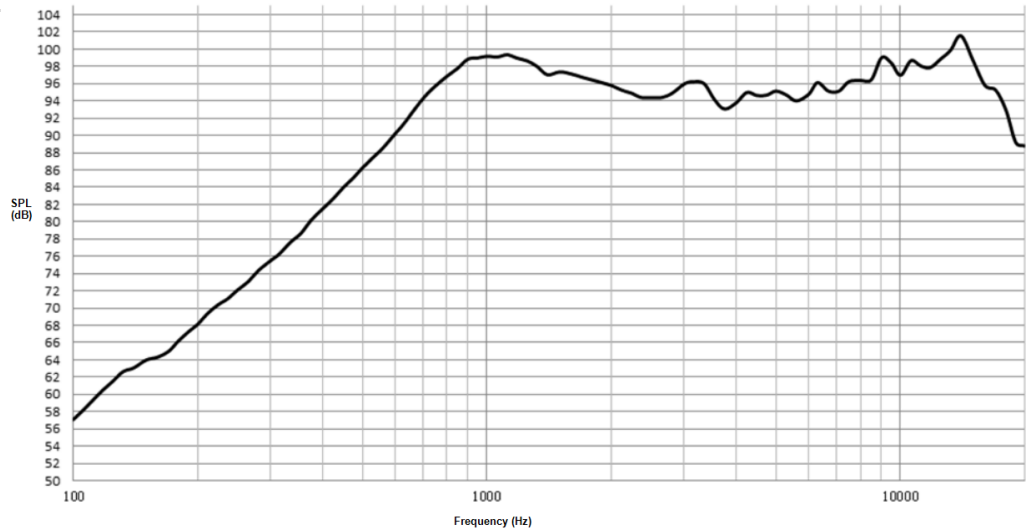
Operating Characteristics: 1CC Sealed Enclosure

ELECTRICAL

Rated Power	1.0 W
Short Term Max Power	1.3 W
Impedance	8 Ω \pm 15 % 2000 Hz; 1.0 W

ACOUSTIC

f_o	950 Hz \pm 20 % 1 W
Freq. Range	760 to 20000 Hz
Rated SPL	97 \pm 3 dB 800, 1000, 1500, 2000 Hz; AVG; 1 W; 10 cm
Distortion	<10 % 2000 Hz; 1.0 W



Physical Characteristics

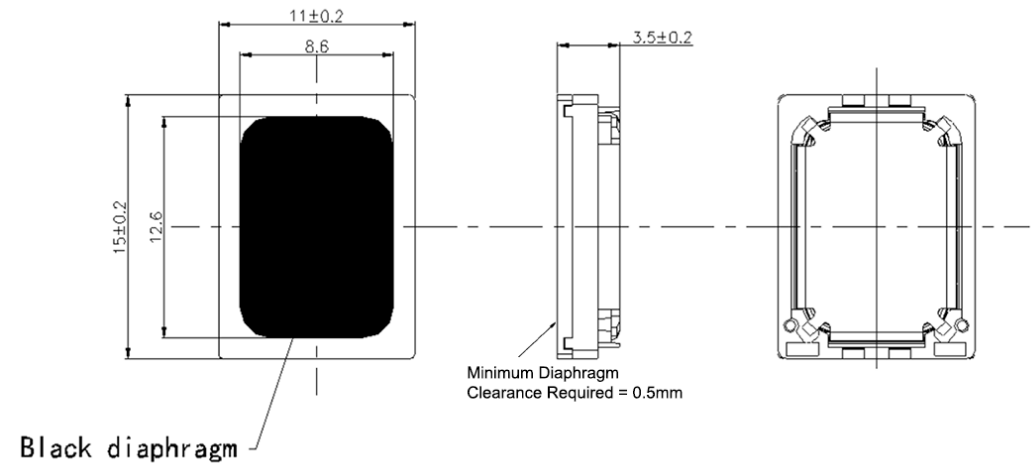
MATERIALS

Housing	PPA
Cone	PEEK
Magnet	NdFeB
Solder Pad	Tin-Plated Stainless Steel

TEMPERATURE RANGES

Operating	-20 to +70 °C
Storage	-40 to +80 °C

Weight	1.5 g
--------	-------



General tolerance = ± 0.2 mm and all measurements in mm unless otherwise noted.

Revision	Description	By	Date
1-2022	Added minimum diaphragm clearance requirement callout to the mechanical drawing. Added product photo.	CT	2022-05-12
2-2024	Updated frequency range.	SK	2024-02-21

Warranty: For a period of one (1) year from date of shipping under normal operations conditions. This warranty does not apply to products damaged through misuse, abuse, improper installation, alteration, rework, or attempt to repair.

The information contained herein is believed to be correct, but no guarantee or warranty, express or implied, with respect to accuracy, completeness or results is extended and no liability is assumed. Challenge Electronics reserves the right to make changes in any specification, data or material contained herein.